

KOHL'S® Guide to Watch Case Sizing

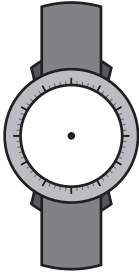
Use this guide to help understand how different watch case sizes will look on your wrist.

NOTE: Sizes may vary depending on screen resolution. For accurate sizing please print this page at 100% scale.

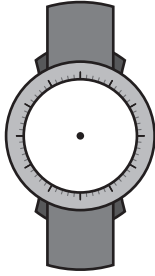
16mm



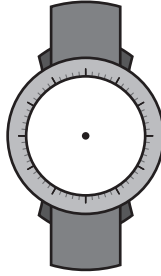
18mm



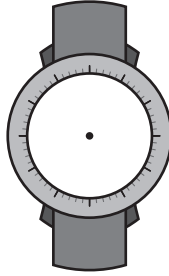
20mm



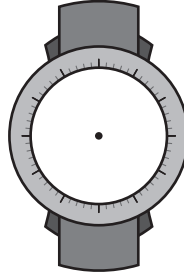
21mm



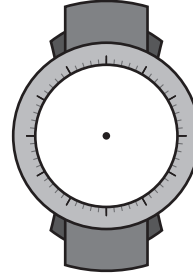
22mm



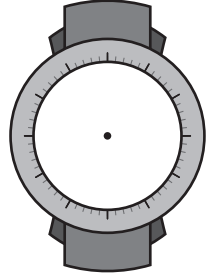
24mm



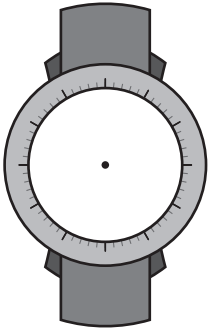
25mm



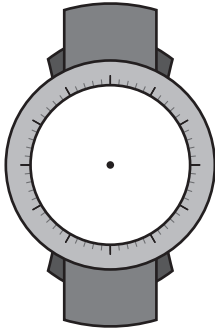
26mm



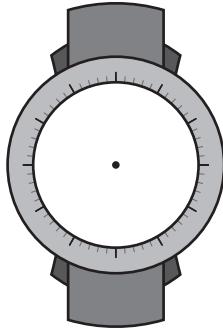
27mm



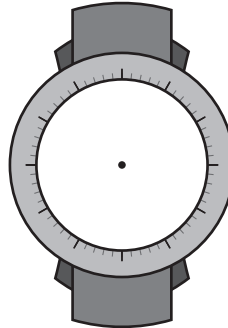
28mm



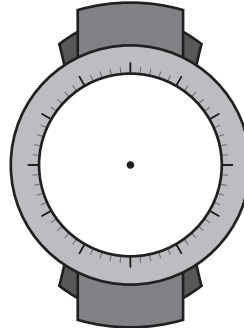
29mm



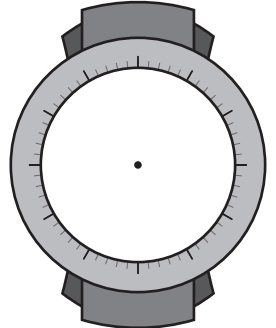
30mm



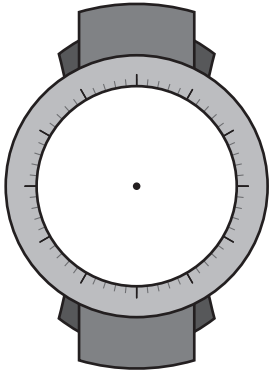
32mm



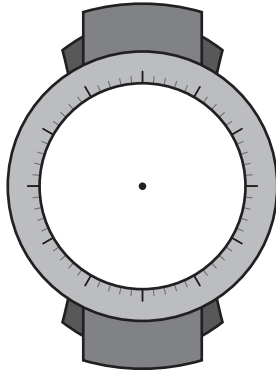
34mm



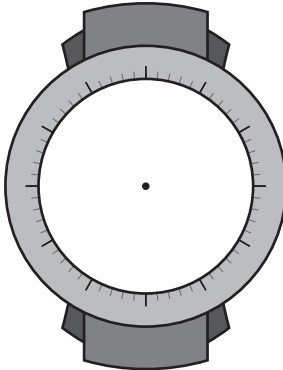
35mm



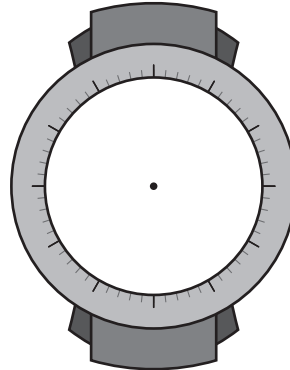
36mm



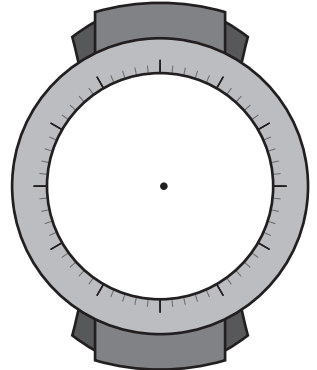
37.5mm



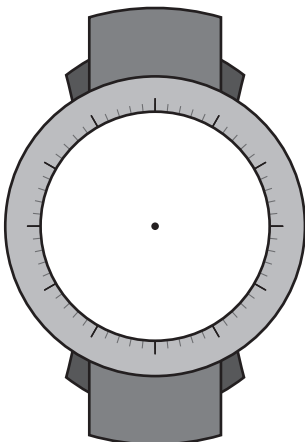
38mm



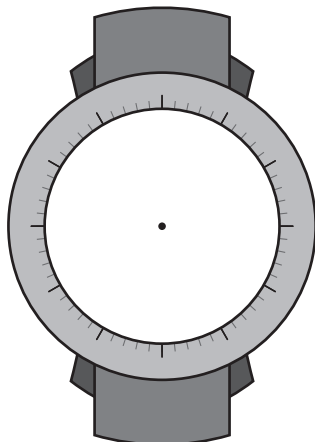
39.5mm



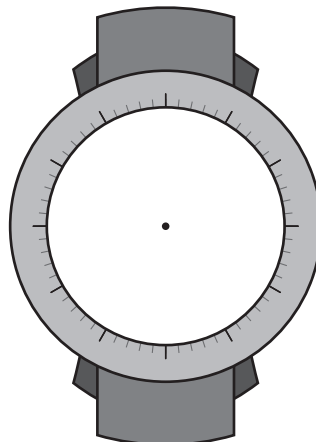
40mm



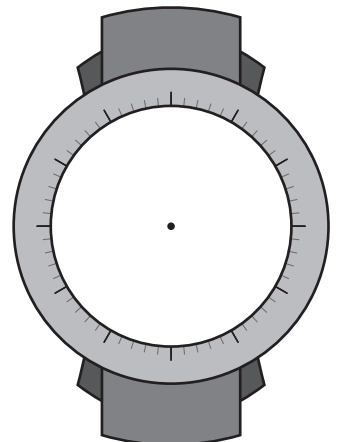
41mm



41.5mm



42mm



PRINTER CHECK: Measure this box to check accuracy.

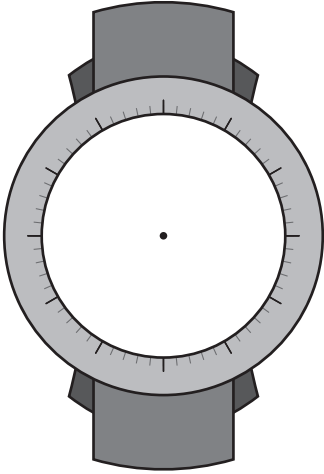


KOHL'S® Guide to Watch Case Sizing

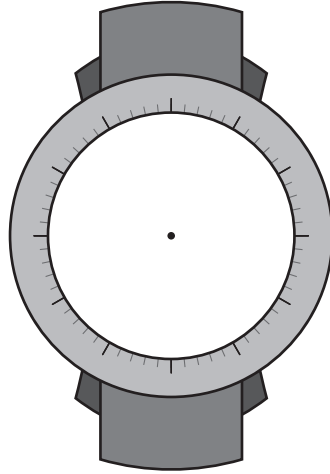
Use this guide to help understand how different watch case sizes will look on your wrist.

NOTE: Sizes may vary depending on screen resolution. For accurate sizing please print this page at 100% scale.

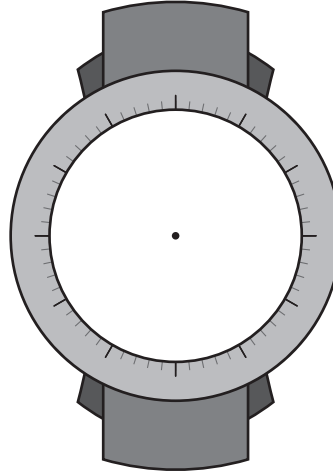
42.5mm



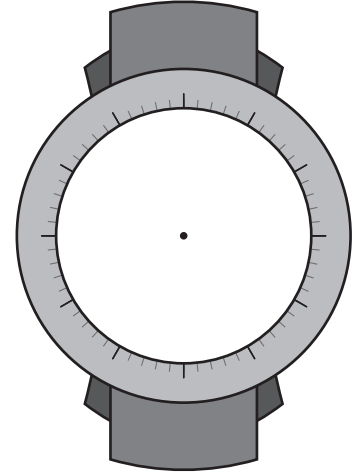
43mm



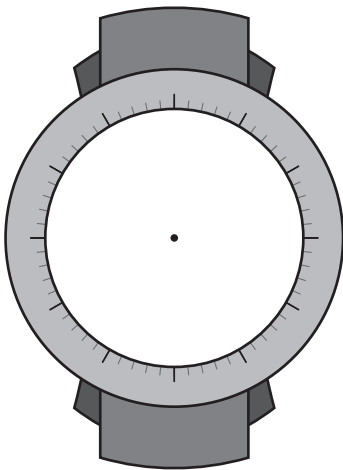
44mm



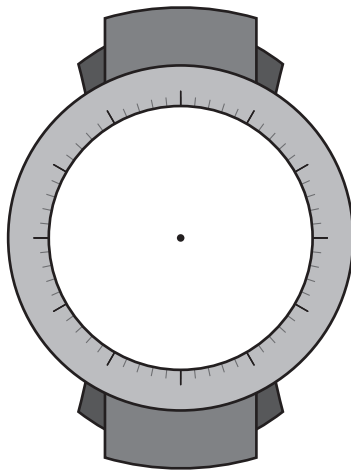
44.5mm



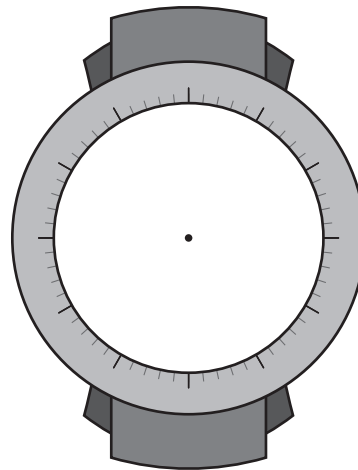
45mm



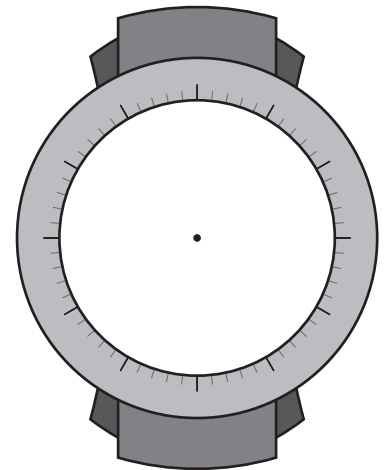
46mm



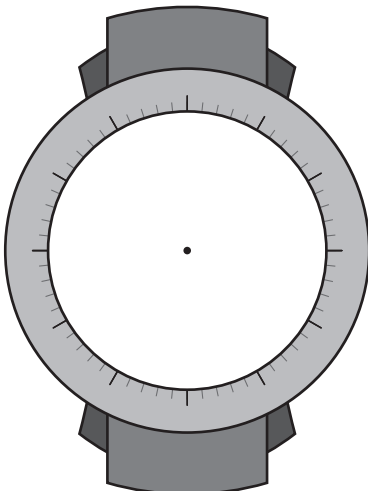
47mm



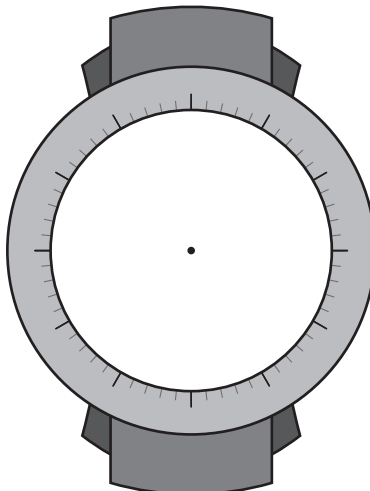
48mm



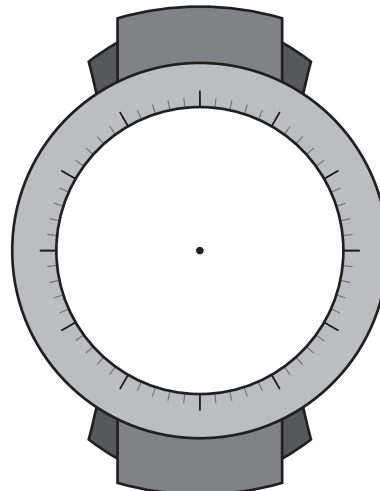
48.5mm



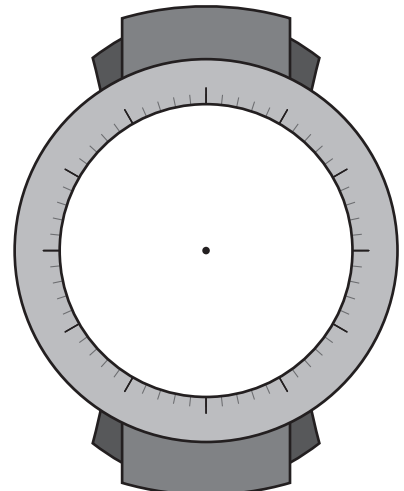
49mm



50mm



51mm



PRINTER CHECK: Measure this box to check accuracy.

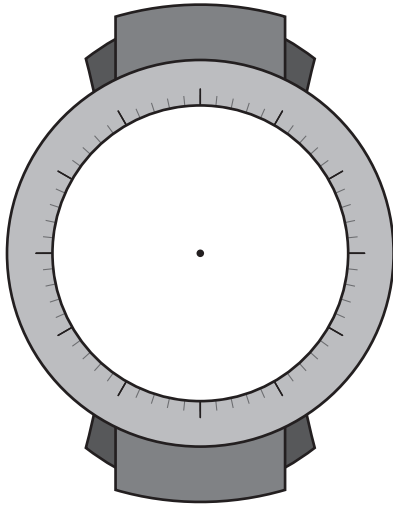


KOHL'S® Guide to Watch Case Sizing

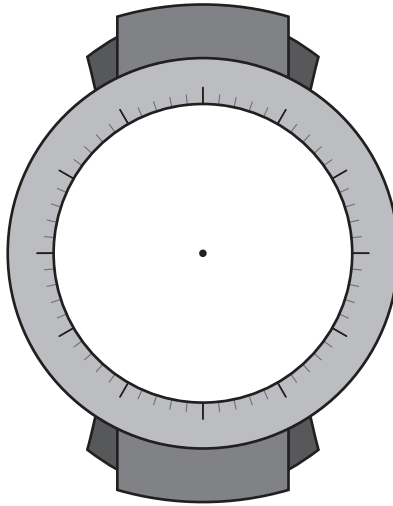
Use this guide to help understand how different watch case sizes will look on your wrist.

NOTE: Sizes may vary depending on screen resolution. For accurate sizing please print this page at 100% scale.

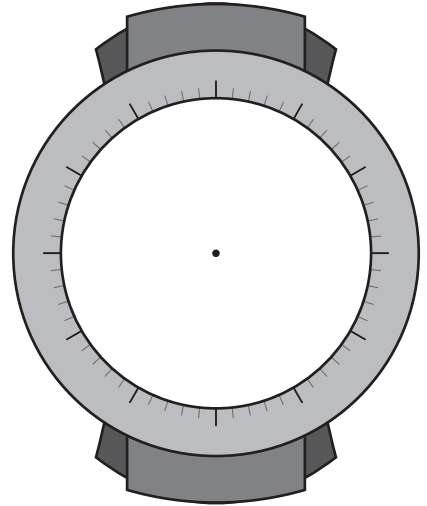
51.5mm



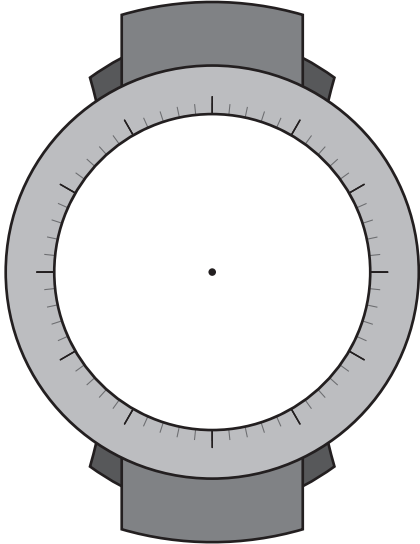
52mm



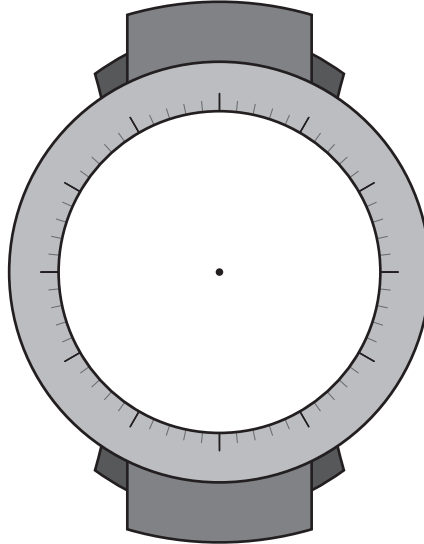
54mm



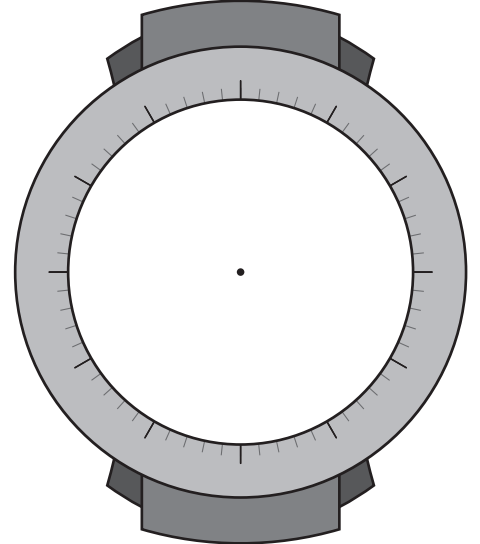
55mm



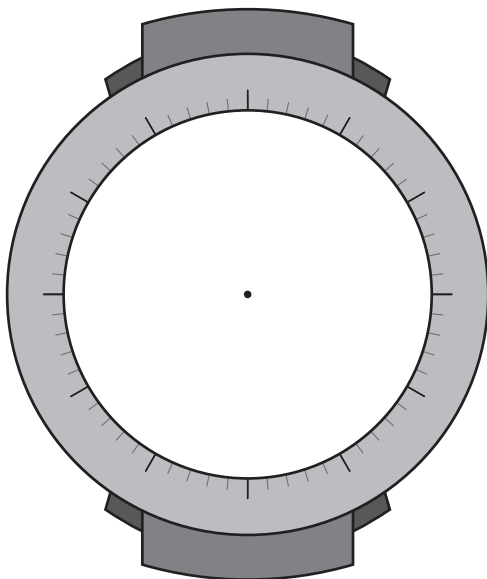
56mm



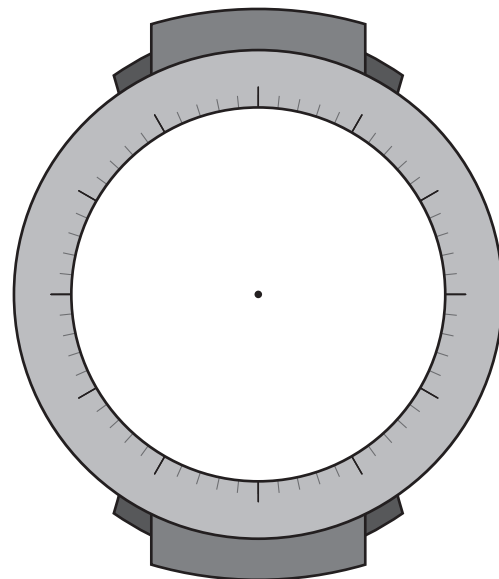
60mm



64mm



65mm



PRINTER CHECK: Measure this box to check accuracy.

