



SAVE THESE INSTRUCTIONS

SIMPLE BY DESIGN COLLAPSIBLE STORAGE ASSEMBLY INSTRUCTIONS

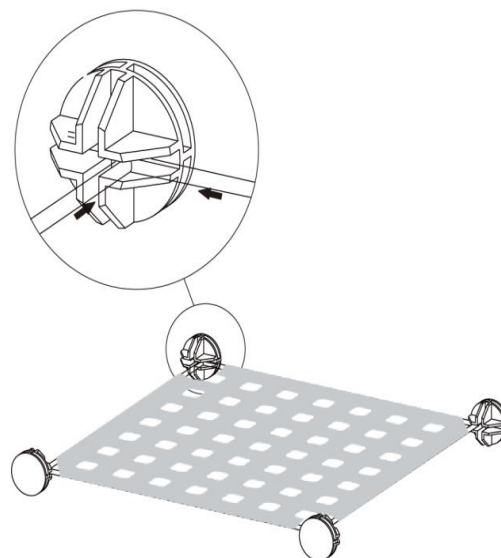
STYLE #: 83SDRST05

ASSEMBLE ON A FLAT, PROTECTED SURFACE

PART LIST	FIGURE	QUANTITY	DESCRIPTION
A		16 PCS	PANEL
B		18 PCS	CONNECTOR

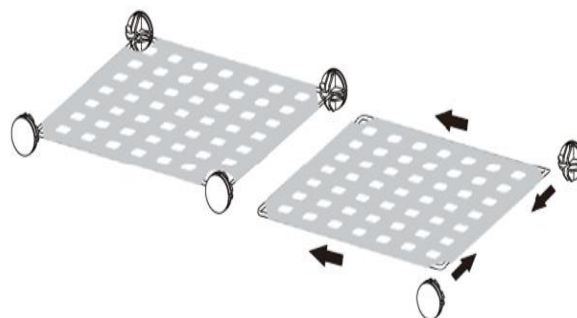
STEP 1

A. TAKE ONE PANEL AND INSERT PANEL CORNERS INTO 4 CONNECTORS AS SHOWN. MAKE SURE ALL CORNERS ARE FULLY INSERTED INTO CONNECTORS.



STEP 2

A. TAKE A SECOND PANEL AND CONNECT TO THE FIRST. ADD TWO MORE CONNECTORS TO THE OPEN CORNERS. MAKE SURE ALL CORNERS ARE FULLY INSERTED INTO CONNECTORS.

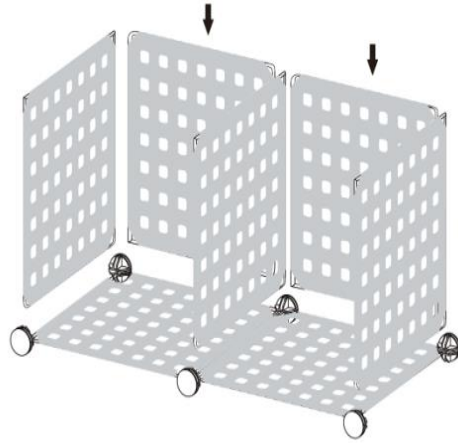


ASSEMBLY INSTRUCTIONS (CONTINUED)

STYLE #: 83SDRST05

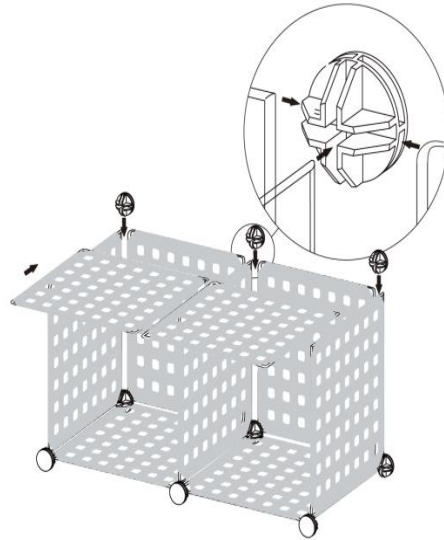
STEP 3

A. INSERT 5 PANELS VERTICALLY AS SHOWN. MAKE SURE ALL CORNERS ARE FULLY INSERTED INTO CONNECTORS.



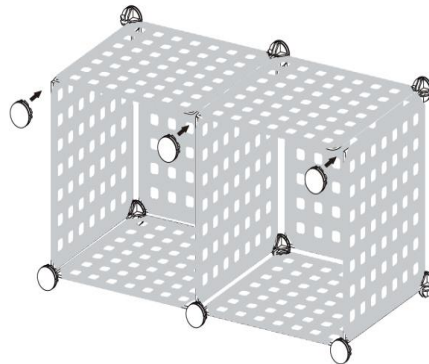
STEP 4

A. INSERT CORNERS OF BACK PANELS INTO CONNECTORS AS SHOWN. MAKE SURE ALL CORNERS ARE FULLY INSERTED INTO CONNECTORS.



STEP 5

A. INSERT CORNERS OF FRONT PANELS INTO CONNECTORS AS SHOWN. MAKE SURE CORNERS ARE FULLY INSERTED INTO CONNECTORS.



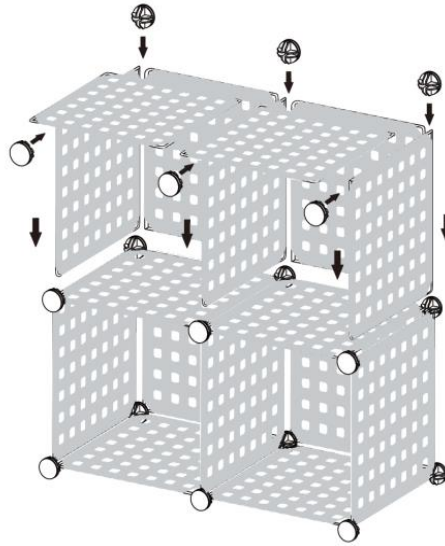
ASSEMBLY INSTRUCTIONS (CONTINUED)

STYLE #: 83SDRST05

STEP 6

A. REPEAT STEPS 1-5 AND APPLY TO COMPLETED PANEL CUBES TO MAKE UPPER SHELVES. MAKE SURE ALL PANEL CORNERS ARE FULLY INSERTED INTO CONNECTORS.

B. ASSEMBLY IS COMPLETE.



** WE RECOMMEND THAT YOU PERIODICALLY TIGHTEN ALL CONNECTORS.

WEIGHT LIMIT

10 LBS EACH CUBE

CARE AND CLEANING

WIPE CLEAN WITH A SOFT, DRY CLOTH AS NEEDED.

DO NOT SIT, STAND, OR CLIMB ON THE STORAGE UNIT.

INTENDED FOR INDOOR USE ONLY.