


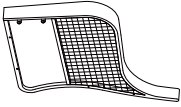
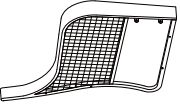




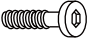






SAVE THESE INSTRUCTIONS
RAVINE MOTION CHAIR WITH CUSHION
STYLE #: 61SRR4515RAV

ASSEMBLE ON A FLAT, PROTECTED SURFACE.

PART LIST	FIGURE	QUANTITY	DESCRIPTION
A		1 PC	SEAT
B		1 PC	BACK
C		1 PC	BASE
D		1 PC	RIGHT SIDE
E		1 PC	LEFT SIDE
F		1 PC	SEAT CUSHION
G		1 PC	BACK CUSHION
H		8 PCS	LONG BOLT (M6*50mm)
I		4 PCS	MEDIUM BOLT (M6*35mm)
J		4 PCS	SHORT BOLT (M6*18MM)
K		16 PCS	FLAT WASHER (14*6.5 *1mm)
L		4 PCS	PLASTIC WASHER (16*6.5 *4mm)
M		4 PCS	BOLT CAP
N		1 PC	ALLEN WRENCH

RAVINE MOTION CHAIR WITH CUSHION

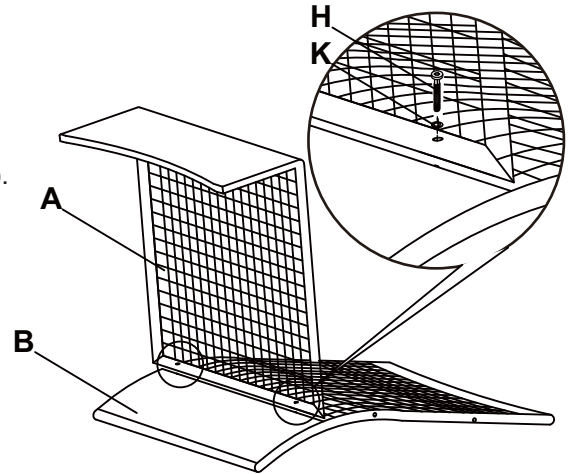
STYLE #: 61SRR4515RAV

ASSEMBLY INSTRUCTIONS (CONT.)

STEP 1

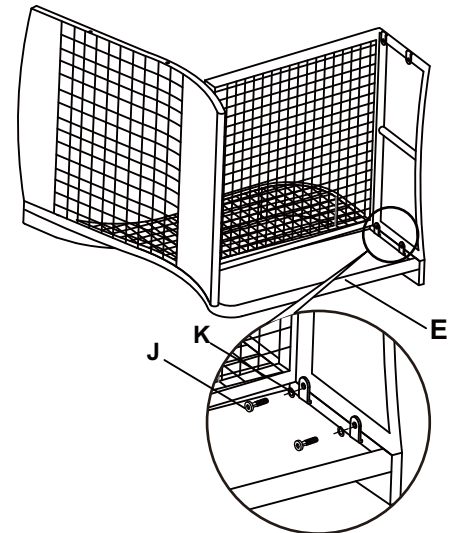
A. PLACE BACK (B) ON A FLAT, PROTECTED SURFACE.

B. CONNECT SEAT (A) TO BACK (B) WITH FLAT WASHER (K) AND LONG BOLT (H) USING ALLEN WRENCH (N). DO NOT TIGHTEN COMPLETELY.



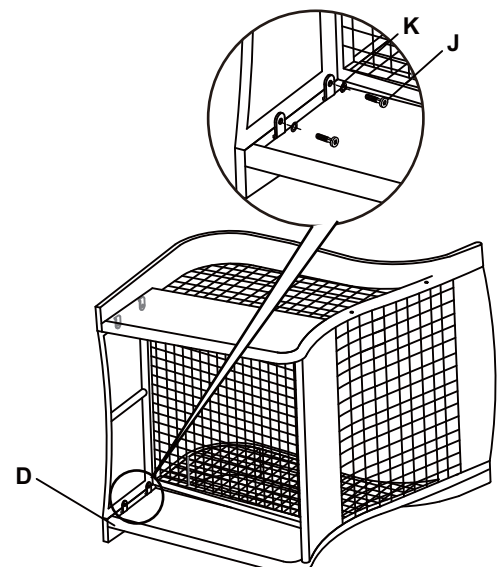
STEP 2

CONNECT FRONT LEG OF LEFT SIDE (E) TO SEAT (A) WITH FLAT WASHER (K) AND SHORT BOLT (J) USING ALLEN WRENCH (N). DO NOT TIGHTEN COMPLETELY.



STEP 3

CONNECT FRONT LEG OF RIGHT SIDE (D) TO SEAT (A) WITH FLAT WASHER (K) AND SHORT BOLT (J) USING ALLEN WRENCH (N). DO NOT TIGHTEN COMPLETELY.



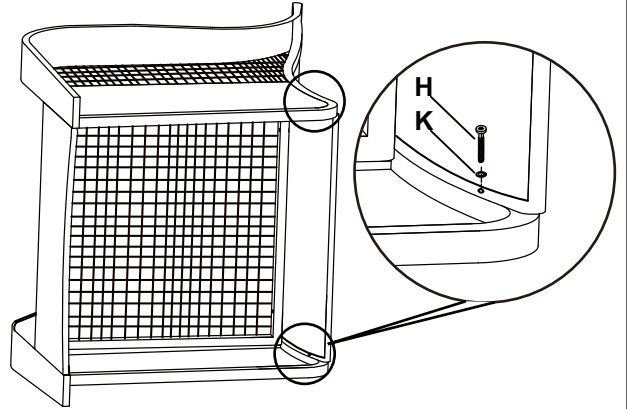
RAVINE MOTION CHAIR WITH CUSHION

STYLE #: 61SRR4515RAV

ASSEMBLY INSTRUCTIONS (CONT.)

STEP 4

CONNECT BOTH REAR LEGS FROM SIDES (C&D) TO BACK (B) WITH FLAT WASHER (K) AND LONG BOLT (H) USING ALLEN WRENCH (N). DO NOT TIGHTEN COMPLETELY.

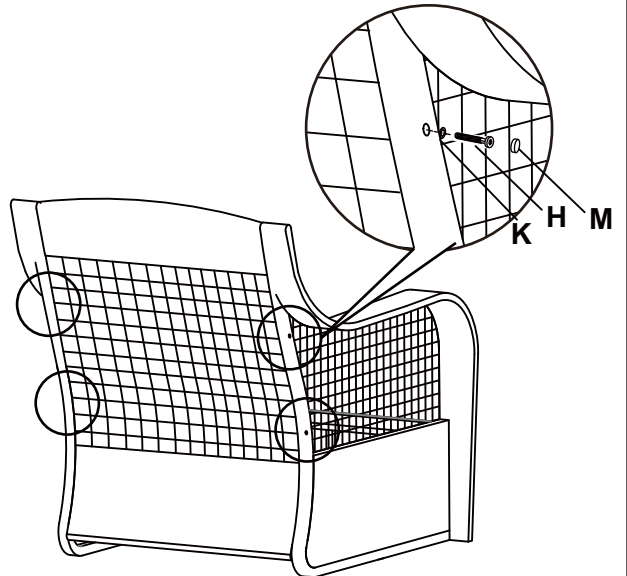


STEP 5

A. CONNECT BOTH TOP PARTS OF ARMS FROM SIDES (C&D) TO BACK (B) WITH FLAT WASHER (K) AND LONG BOLT (H) USING ALLEN WRENCH (N).

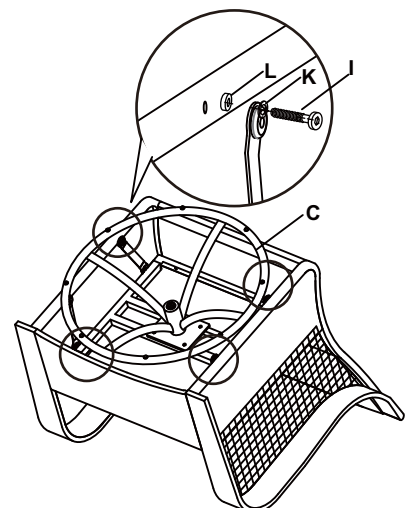
B. TIGHTEN ALL BOLTS FROM ALL STEPS SECURELY USING ALLEN WRENCH (N).

C. PUT THE BOLT CAP (M) ON THE LONG BOLT (H) .



STEP 6

A. CONNECT BASE (C) TO THE CHAIR WITH FLAT WASHER (K), PLASTIC WASHER (L) AND MEDIUM BOLT (I) USING ALLEN WRENCH (N). TIGHTEN BOLTS SECURELY.



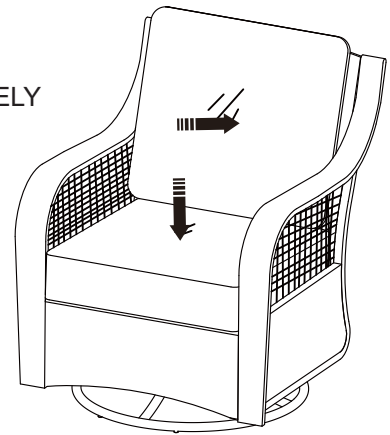
RAVINE MOTION CHAIR WITH CUSHION
STYLE #: 61SRR4515RAV
ASSEMBLY INSTRUCTIONS (CONT.)

STEP 7

A. TURN CHAIR TO UPRIGHT POSITION SO THAT IT STANDS SQUARELY ON THE FLOOR.

B. PUT THE CUSHIONS (F&G) ON THE CHAIR.

C. RETAIN ALLEN WRENCH (N) FOR USE TO TIGHTEN BOLTS PERIODICALLY OR AS NEEDED.



WEIGHT LIMIT

500 LBS

CARE AND CLEANING

IN ORDER TO PROLONG THE LIFE OF YOUR CHAIR, PLEASE STORE IN DRY SHELTERED PLACE WHEN NOT IN USE OR DURING INCLEMENT WEATHER.

CLEAN WITH A DAMP CLOTH OR SPONGE USING WARM WATER AND MILD SOAP, WIPE DRY. DO NOT USE BLEACH, ACID SOLVENTS OR ABRASIVE CLEANERS ON WICKER OR FRAME PARTS.

WARRANTY

1 YEAR LIMITED WARRANTY FOR FRAME AND CUSHIONS.

CUSTOMER SERVICE: PLEASE NOTE - DO NOT RETURN THIS ITEM TO THE RETAILER.

CUSTOMER SERVICE HOT LINE: 855-259-5097

SERVICE HOURS: 9:00 A.M to 5:00 P.M EASTERN STANDARD TIME MONDAY THROUGH FRIDAY

E-MAIL: ACS@AMERICANCUSTOMERSERVICE.COM

TO ASSIST YOU BETTER, PLEASE GATHER THE FOLLOWING INFORMATION BEFORE CALLING CUSTOMER SERVICE: PRODUCT NAME AND STYLE NUMBER, DESCRIPTION AND OR IMAGES OF THE ISSUE, ORIGINAL STORE PURCHASE RECEIPT.