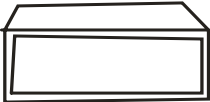
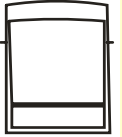










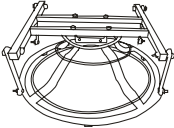




SAVE THESE INSTRUCTIONS

SONOMA PRESIDIO MOTION CHAIR ASSEMBLY INSTRUCTIONS ASSEMBLE ON A FLAT, PROTECTED SURFACE.

PART LIST	FIGURE	QUANTITY	DESCRIPTION
A		1 PC	SEAT
B		1 PC	BACK
C		1 PC	RIGHT ARM
D		1 PC	LEFT ARM
E		4 PCS + 1 PC	LARGE BOLT (Φ8X20MM)
F		4 PCS + 1 PC	LARGE WASHER
G		8 PCS + 1 PC	LARGE BOLT CAP
H		1 PC	LARGE ALLEN WRENCH
I		6 PCS + 1PC	SMALL BOLT (Φ6X30MM)
J		6 PCS + 1PC	SMALL WASHER
K		6 PCS + 1PC	SMALL BOLT CAP
L		1 PC	SMALL ALLEN WRENCH
M		1 PC	BASE
N		1 PC	SEAT CUSHION
O		1 PC	BACK CUSHION

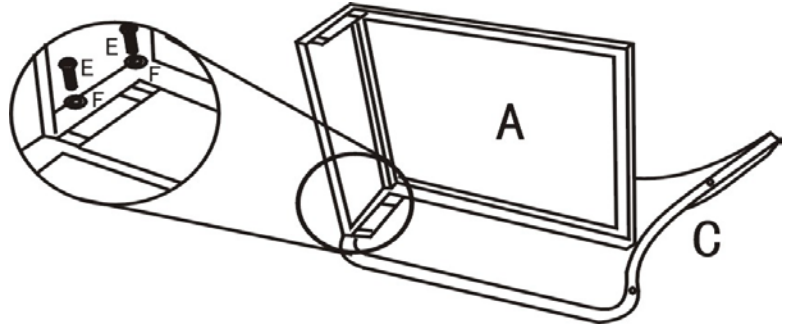
FOR MISSING OR INCORRECT PARTS/HARDWARE, CONTACT THE MANUFACTURER'S CUSTOMER SERVICE DIRECTLY AT
INFO@GRANDBASKETCO.COM OR 1-718-386-6400
REFER TO LAST PAGE FOR ADDITIONAL CUSTOMER SERVICE DETAILS.

ASSEMBLY INSTRUCTIONS (CONTINUED)
SONOMA PRESIDIO MOTION CHAIR ASSEMBLY INSTRUCTIONS

STEP 1

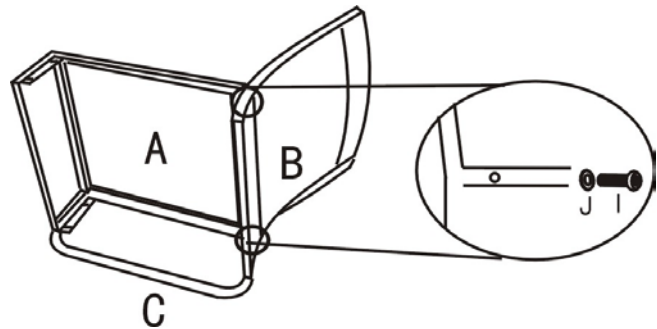
A. PLACE OUTER SIDE OF RIGHT ARM (C) ON A FLAT, PROTECTED SURFACE.

B. ATTACH SEAT (A) TO RIGHT ARM (C) WITH LARGE BOLTS (E) AND LARGE WASHERS (F) USING LARGE ALLEN WRENCH (H). DO NOT TIGHTEN COMPLETELY.



STEP 2

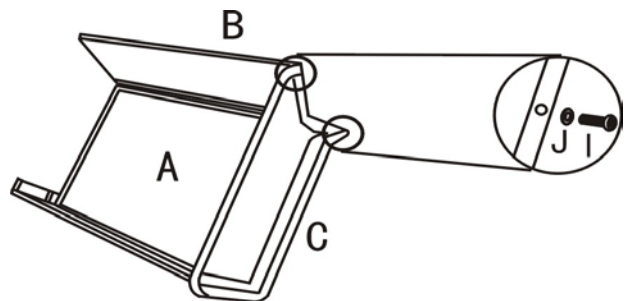
A. INSERT 3 POSTS ON SEAT (A) THROUGH HOLES ON BACK (B) CONNECTING AT THE 2 OUTER POSTS WITH SMALL BOLTS (I) AND SMALL WASHERS (J) USING SMALL ALLEN WRENCH (L). DO NOT TIGHTEN COMPLETELY.



STEP 3

A. CAREFULLY ROTATE THE ASSEMBLED UNIT TO THE UPSIDE DOWN POSITION.

B. INSERT 2 POSTS ON BACK (B) THROUGH HOLES IN RIGHT ARM (C) CONNECTING WITH SMALL BOLTS (I) AND SMALL WASHERS (J) USING SMALL ALLEN WRENCH (L). DO NOT TIGHTEN COMPLETELY.



ASSEMBLY INSTRUCTIONS (CONTINUED)
SONOMA PRESIDIO MOTION CHAIR ASSEMBLY INSTRUCTIONS

STEP 4

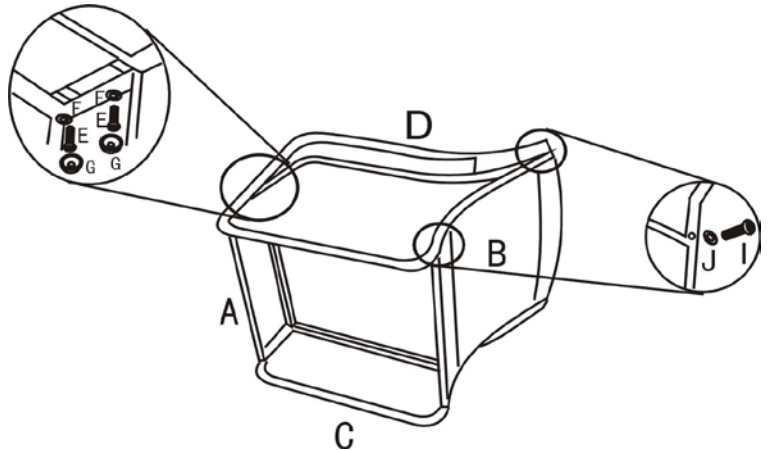
A. ROTATE ASSEMBLED UNIT ONTO OUTER SIDE OF RIGHT ARM (C) ON A FLAT, PROTECTED SURFACE.

B. PLACE LEFT ARM (D) ONTO SEAT (A) AND BACK (B) INSERTING 2 POSTS ON BACK (B) THROUGH HOLES IN LEFT ARM (D). CONNECT WITH SMALL BOLTS (I) AND SMALL WASHERS (J) USING SMALL ALLEN WRENCH (L). DO NOT TIGHTEN COMPLETELY.

C. ATTACH LEFT ARM (D) TO SEAT (A) WITH LARGE BOLTS (E) AND LARGE WASHERS (F) USING LARGE ALLEN WRENCH (H). DO NOT TIGHTEN COMPLETELY.

D. TIGHTEN COMPLETELY ALL LARGE BOLTS (E) AND SMALL BOLTS (I) USING LARGE ALLEN WRENCH (H) AND SMALL ALLEN WRENCH (L).

E. COVER LARGE BOLTS (E) USING LARGE BOLT CAPS (G). COVER SMALL BOLTS (I) USING SMALL BOLT CAPS (K).

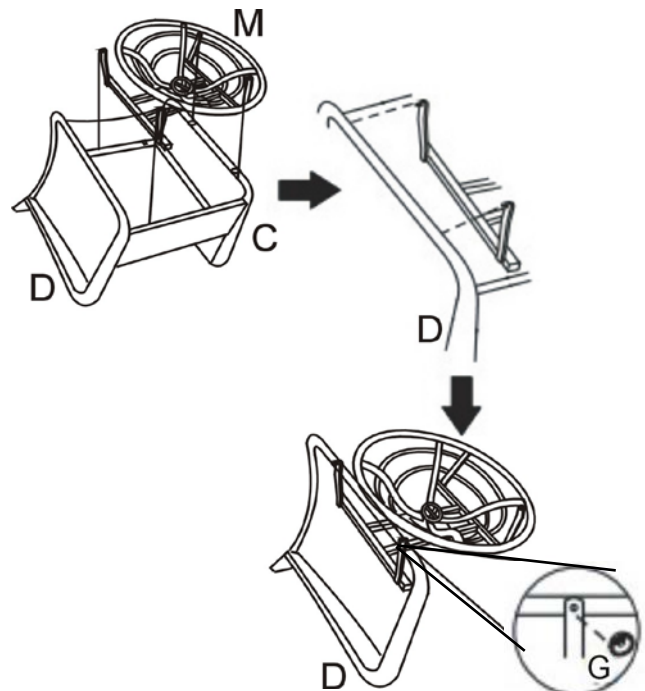


STEP 5

A. ROTATE CHAIR TO THE UPSIDE DOWN POSITION ON A FLAT, PROTECTIVE SURFACE.

B. ATTACH BASE (M) TO RIGHT ARM (C) AND LEFT ARM (D) BY ALIGNING THE 4 BOLTS ON BASE (M) WITH HOLES ON ARMS (C & D) USING LARGE ALLEN WRENCH (H). COMPLETELY TIGHTEN.

C. COVER BOLTS USING LARGE BOLT CAPS (G).



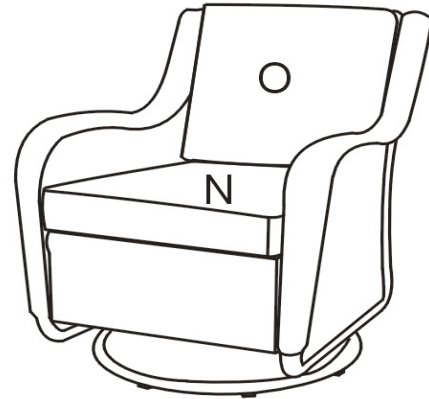
ASSEMBLY INSTRUCTIONS (CONTINUED)
SONOMA PRESIDIO MOTION CHAIR ASSEMBLY INSTRUCTIONS

STEP 6

A. ROTATE ASSEMBLED UNIT TO THE UPRIGHT POSITION.

B. PLACE SEAT CUSHIONS (N) THEN BACK CUSHIONS (O) ON THE CHAIR.

C. ASSEMBLY IS COMPLETE.



**** WE RECOMMEND THAT YOU SAVE THE ALLEN WRENCHES (H & L) AND PERIODICALLY TIGHTEN ALL BOLTS.**

WEIGHT LIMIT

300 LBS

CARE AND CLEANING

FRAME: CLEAN WITH MILD SOLUTION OF SOAP AND WATER, RINSE WITH CLEAN WATER, AND DRY THOROUGHLY.

CUSHIONS: SPOT CLEAN WITH A SOFT, DAMP CLOTH.

DO NOT STAND OR CLIMB ON THE CHAIR.

WARRANTY

1 YEAR LIMITED WARRANTY FOR FRAME, WEAVE AND CUSHIONS.

WHAT IS COVERED:

WE WARRANT TO THE ORIGINAL PURCHASER FOR ONE YEAR, FROM THE DATE OF PURCHASE, THAT THE FRAME, RESIN WEAVE AND CUSHIONS WILL BE FREE FROM MANUFACTURING DEFECTS. THIS WARRANTY ALSO COVERS PEELING, CRACKING, BLISTERING, DISCOLORATION, OR FADING FOR THIS ONE YEAR PERIOD.

WHAT IS NOT COVERED:

IT REMAINS THE CUSTOMER'S RESPONSIBILITY FOR FREIGHT AND PACKAGING CHARGES TO AND FROM OUR SERVICE CENTER. THIS WARRANTY DOES NOT COVER COMMERCIAL USE, ACTS OF NATURE, FIRE, FREEZING, AND ABUSIVE USE. DISCOLORATION OR FADING OF THE FINISH OR FABRICS AS A RESULT OF CHEMICALS OR SPILLS IS NOT COVERED. GLASS TABLETOP BREAKAGE AND CORROSION OR RUSTING OF HARDWARE ARE NOT COVERED. IN ADDITION, PURCHASED PART ARE NOT COVERED UNDER THIS WARRANTY. PROOF OF PURCHASE (DATED REGISTER RECEIPT) IS REQUIRED FOR WARRANTY CLAIMS. WE RESERVE THE RIGHT TO MAKE SUBSTITUTIONS WITH SIMILAR MERCHANDISE, IF THE MODEL IS NO LONGER IN PRODUCTION. WARRANTY IS TO THE ORIGINAL PURCHASER AND IS NOT TRANSFERABLE. AS SOME STATES DO NOT ALLOW EXCLUSIONS OR LIMITATIONS ON AN IMPLIED WARRANTY, THE ABOVE EXCLUSIONS AND LIMITATIONS MAY NOT APPLY. THIS WARRANTY GIVES YOU SPECIFIC RIGHTS, AND YOU MAY ALSO HAVE OTHER RIGHTS, WHICH VARY FROM STATE TO STATE.

CUSTOMER SERVICE

FOR REPLACEMENT PARTS OR FOR ADDITIONAL INFORMATION

CALL: 1-718-386-6400 9AM TO 5PM EST, Monday-Friday

EMAIL: info@grandbasketco.com