















# SAVE THESE INSTRUCTIONS

## SONOMA PRESIDIO CHAIR

STYLE #: 61SRR4510

ASSEMBLE ON A FLAT, PROTECTED SURFACE.

PART LIST	FIGURE	QUANTITY	DESCRIPTION
A		1 PC	SEAT
B		1 PC	BACK
C		1 PC	RIGHT ARM
D		1 PC	LEFT ARM
E		4 PCS + 1 PC	LARGE BOLT (Φ8X20MM)
F		4 PCS + 1 PC	LARGE WASHER
G		4 PCS + 1 PC	LARGE BOLT CAP
H		1 PC	LARGE ALLEN WRENCH
I		6 PCS + 1 PC	SMALL BOLT (Φ6X25MM)
J		6 PCS + 1 PC	SMALL WASHER
K		6 PCS + 1 PC	SMALL BOLT CAP
L		1 PC	SMALL ALLEN WRENCH
M		1 PC	SEAT CUSHION
N		1 PC	BACK CUSHION

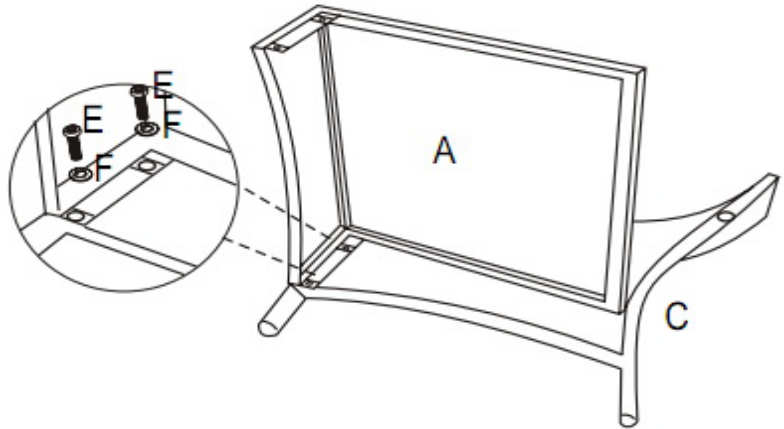
## ASSEMBLY INSTRUCTIONS (CONTINUED)

STYLE #: 61SRR4510

### STEP 1

A. PLACE RIGHT ARM (C) ON A FLAT, PROTECTED SURFACE.

B. CONNECT SEAT (A) TO RIGHT ARM (C) WITH LARGE BOLTS (E) AND LARGE WASHERS (F) USING LARGE ALLEN WRENCH (H). DO NOT TIGHTEN COMPLETELY.

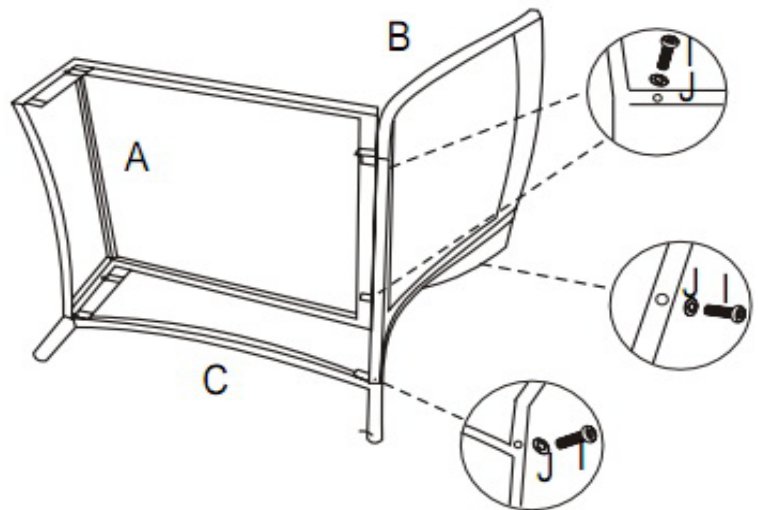


### STEP 2

A. CONNECT BACK (B) BY ALIGNING 2 BACK PINS WITH THE HOLES ON RIGHT ARM (C) AND INSERTING 2 SEAT PINS INTO HOLES ON BACK (B).

B. INSERT SMALL BOLTS (I) AND SMALL WASHERS (J) THROUGH BACK (B) INTO SEAT (A) USING SMALL ALLEN WRENCH (L). DO NOT TIGHTEN COMPLETELY.

C. INSERT SMALL BOLTS (I) AND SMALL WASHERS (J) THROUGH RIGHT ARM (C) INTO BACK (B) USING SMALL ALLEN WRENCH (L). DO NOT TIGHTEN COMPLETELY.



## ASSEMBLY INSTRUCTIONS (CONTINUED)

STYLE #: 61SRR4510

### STEP 3

A. CONNECT LEFT ARM (D) BY INSERTING 2 BACK PINS INTO HOLES IN LEFT ARM (D).

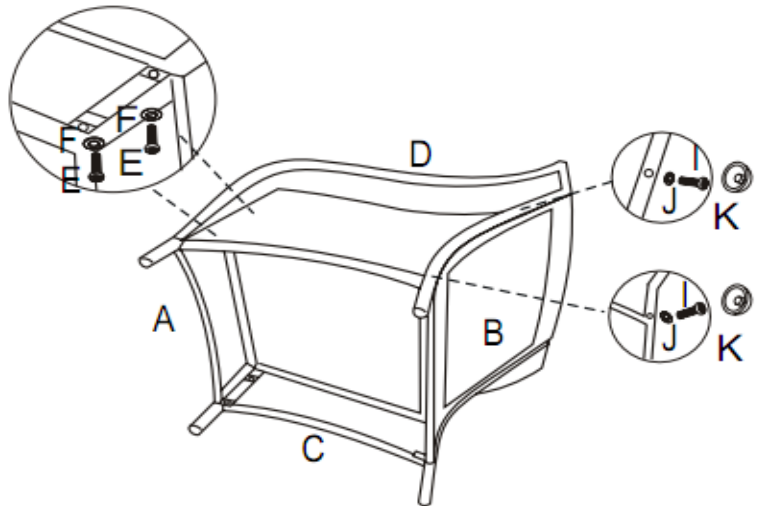
B. INSERT LARGE BOLTS (E) AND LARGE WASHERS (F) USING LARGE ALLEN WRENCH (H). DO NOT TIGHTEN COMPLETELY.

C. INSERT SMALL BOLTS (I) AND SMALL WASHERS (J) THROUGH LEFT ARM (D) INTO BACK (B) USING SMALL ALLEN WRENCH (L). DO NOT TIGHTEN COMPLETELY.

D. COMPLETELY TIGHTEN ALL LARGE BOLTS (E) AND SMALL BOLTS (I) USING LARGE ALLEN WRENCH (H) AND SMALL ALLEN WRENCH (L).

E. COVER LARGE BOLTS (E) USING LARGE BOLT CAPS (G).

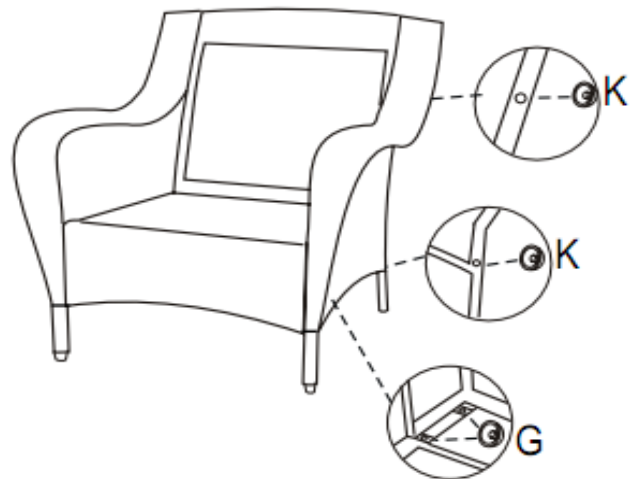
F. COVER SMALL BOLTS (I) USING SMALL BOLT CAPS (K).



### STEP 4

A. ROTATE ASSEMBLED UNIT TO UPRIGHT POSITION.

B. ADJUST LEG LEVELERS AS NEEDED SO THAT IT SITS STABLE ON THE FLOOR.



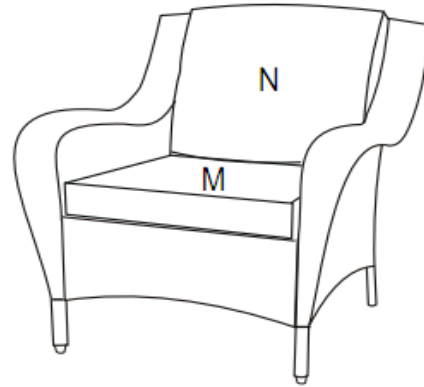
## ASSEMBLY INSTRUCTIONS (CONTINUED)

STYLE #: 61SRR4510

### STEP 5

A. PLACE SEAT CUSHION (M) AND BACK CUSHION (N) ON THE CHAIR.

B. ASSEMBLY IS COMPLETE.



\*\* WE RECOMMEND THAT YOU SAVE THE ALLEN WRENCH (H & L) AND PERIODICALLY TIGHTEN ALL BOLTS.

### WEIGHT LIMIT

300 LBS

### CARE AND CLEANING

WASH FRAME WITH MILD SOLUTION OF SOAP AND WATER, RINSE WITH CLEAN WATER AND DRY THOROUGHLY. CUSHIONS SHOULD BE SPOT CLEANED WITH A SOFT CLOTH.

DO NOT STAND OR CLIMB ON THE CHAIR.

### WARRANTY

1 YEAR LIMITED WARRANTY FOR FRAME, WEAVE AND CUSHIONS.

#### WHAT IS COVERED:

WE WARRANT TO THE ORIGINAL PURCHASER FOR ONE YEAR, FROM THE DATE OF PURCHASE, THAT THE FRAME, RESIN WEAVE AND CUSHIONS WILL BE FREE FROM MANUFACTURING DEFECTS. THIS WARRANTY ALSO COVERS PEELING, CRACKING, BLISTERING, DISCOLORATION, OR FADING FOR THIS ONE YEAR PERIOD.

#### WHAT IS NOT COVERED:

IT REMAINS THE CUSTOMER'S RESPONSIBILITY FOR FREIGHT AND PACKAGING CHARGES TO AND FROM OUR SERVICE CENTER. THIS WARRANTY DOES NOT COVER COMMERCIAL USE, ACTS OF NATURE, FIRE, FREEZING, AND ABUSIVE USE. DISCOLORATION OR FADING OF THE FINISH OR FABRICS AS A RESULT OF CHEMICALS OR SPILLS IS NOT COVERED. GLASS TABLETOP BREAKAGE AND CORROSION OR RUSTING OF HARDWARE ARE NOT COVERED. IN ADDITION, PURCHASED PART ARE NOT COVERED UNDER THIS WARRANTY. PROOF OF PURCHASE (DATED REGISTER RECEIPT) IS REQUIRED FOR WARRANTY CLAIMS. WE RESERVE THE RIGHT TO MAKE SUBSTITUTIONS WITH SIMILAR MERCHANDISE, IF THE MODEL IS NO LONGER IN PRODUCTION. WARRANTY IS TO THE ORIGINAL PURCHASER AND IS NOT TRANSFERABLE. AS SOME STATES DO NOT ALLOW EXCLUSIONS OR LIMITATIONS ON AN IMPLIED WARRANTY, THE ABOVE EXCLUSIONS AND LIMITATIONS MAY NOT APPLY. THIS WARRANTY GIVES YOU SPECIFIC RIGHTS, AND YOU MAY ALSO HAVE OTHER RIGHTS, WHICH VARY FROM STATE TO STATE.

### CUSTOMER SERVICE

FOR REPLACEMENT PARTS OR FOR ADDITIONAL INFORMATION

CALL: 1-800-327-2978 9AM TO 5PM EST, Monday-Friday

EMAIL: [info@grandbasketco.com](mailto:info@grandbasketco.com)