
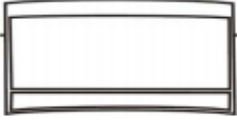










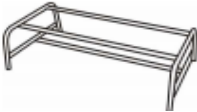




SAVE THESE INSTRUCTIONS
SONOMA PRESIDIO LOVESEAT GLIDER
STYLE #: 61SRR4504
ASSEMBLE ON A FLAT, PROTECTED SURFACE.

PART LIST	FIGURE	QUANTITY	DESCRIPTION
A		1 PC	SEAT
B		1 PC	BACK
C		1 PC	RIGHT ARM
D		1 PC	LEFT ARM
E		4 PCS + 1 PC	LARGE BOLT (Φ8X20MM)
F		4 PCS + 1 PC	LARGE WASHER
G		4 PCS + 1 PC	LARGE BOLT CAP
H		1 PC	LARGE ALLEN WRENCH
I		6 PCS + 1 PC	SMALL BOLT (Φ6X25MM)
J		6 PCS + 1 PC	SMALL WASHER
K		6 PCS + 1 PC	SMALL BOLT CAP
L		1 PC	SMALL ALLEN WRENCH
M		1 PC	BASE
N		2 PCS	SEAT CUSHION
O		2 PCS	BACK CUSHION

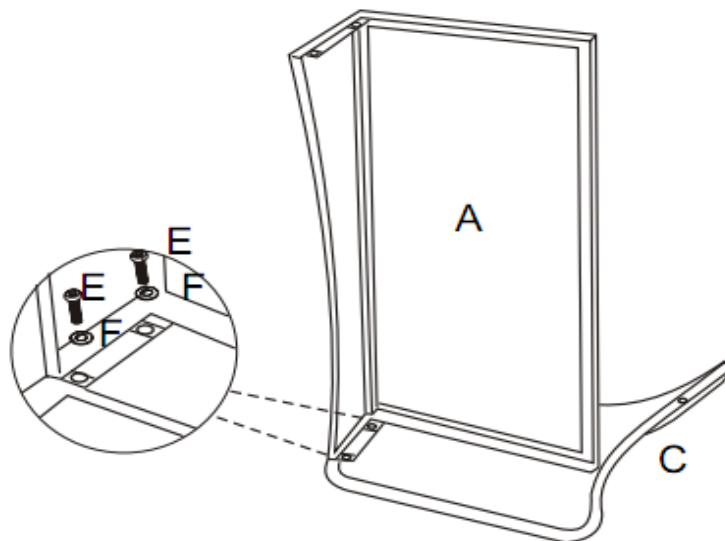
ASSEMBLY INSTRUCTIONS (CONTINUED)

STYLE #: 61SRR4504

STEP 1

A. PLACE RIGHT ARM (C) ON A FLAT, PROTECTED SURFACE.

B. ATTACH SEAT (A) TO RIGHT ARM (C) USING LARGE BOLTS (E) WITH LARGE WASHERS (F) USING LARGE ALLEN WRENCH (H). DO NOT TIGHTEN COMPLETELY.

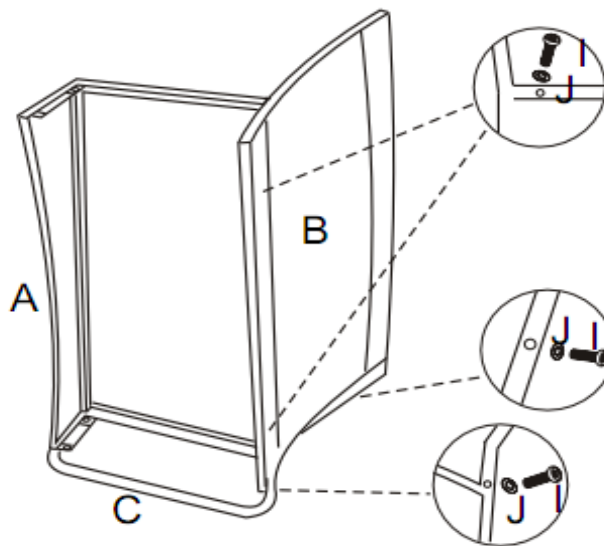


STEP 2

A. ATTACH BACK (B) BY ALIGNING 2 BACK PINS WITH THE HOLES ON RIGHT ARM (C) AND INSERTING 2 SEAT PINS INTO HOLES ON BACK (B).

B. INSERT SMALL BOLTS (I) WITH SMALL WASHERS (J) THROUGH BACK (B) INTO SEAT (A) USING SMALL ALLEN WRENCH (L). DO NOT TIGHTEN COMPLETELY.

C. INSERT SMALL BOLTS (I) WITH SMALL WASHERS (J) THROUGH RIGHT ARM (C) INTO BACK (B) USING SMALL ALLEN WRENCH (L). DO NOT TIGHTEN COMPLETELY.



ASSEMBLY INSTRUCTIONS (CONTINUED)

STYLE #: 61SRR4504

STEP 3

A. ATTACH LEFT ARM (D) BY INSERTING 2 BACK PINS INTO HOLES IN LEFT ARM (D).

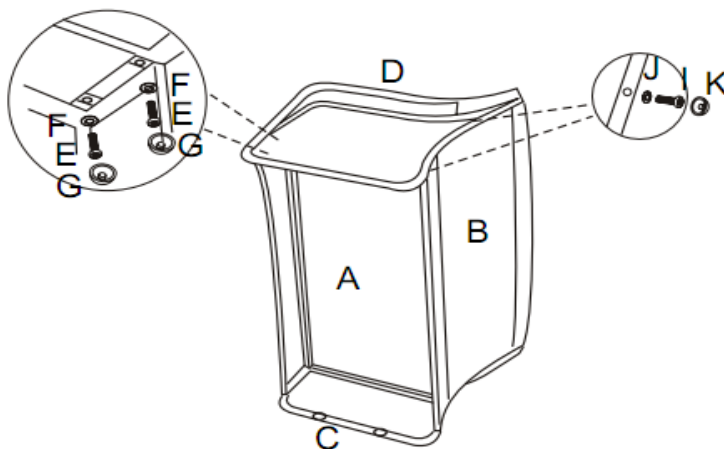
B. INSERT LARGE BOLTS (E) WITH LARGE WASHERS (F) THROUGH SEAT (A) INTO LEFT ARM (D) USING LARGE ALLEN WRENCH (H). DO NOT TIGHTEN COMPLETELY.

C. INSERT SMALL BOLTS (I) WITH SMALL WASHERS (J) THROUGH LEFT ARM (D) INTO BACK (B) USING SMALL ALLEN WRENCH (L). DO NOT TIGHTEN COMPLETELY.

D. TIGHTEN COMPLETELY ALL LARGE BOLTS (E) AND SMALL BOLTS (I) USING LARGE ALLEN WRENCH (H) AND SMALL ALLEN WRENCH (L).

E. COVER LARGE BOLTS (E) USING LARGE BOLT CAPS (G).

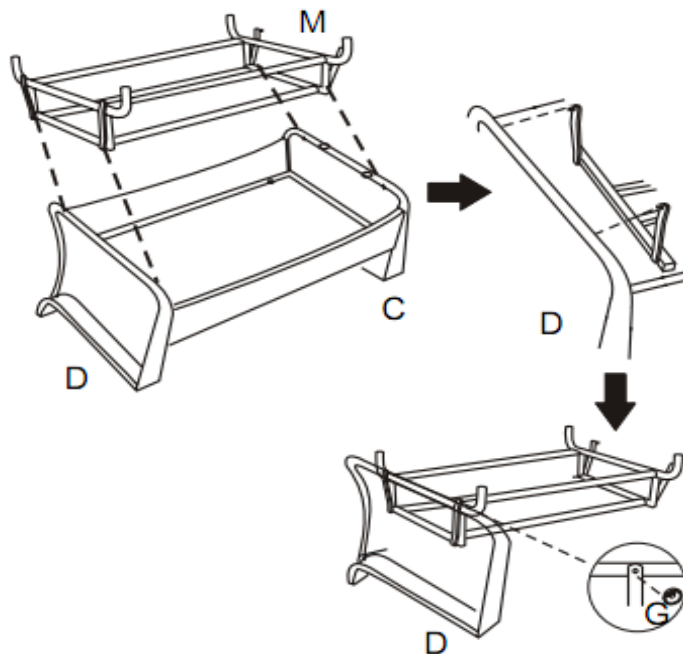
F. COVER SMALL BOLTS (I) USING SMALL BOLT CAPS (G).



STEP 4

A. ATTACH BASE (M) TO RIGHT ARM (C) AND LEFT ARM (D) BY ALIGNING 4 BOLTS ON BASE WITH HOLES ON ARMS. FULLY TIGHTEN BOLTS USING LARGE ALLEN WRENCH (H).

B. COVER BOLTS USING LARGE BOLT CAPS (G).

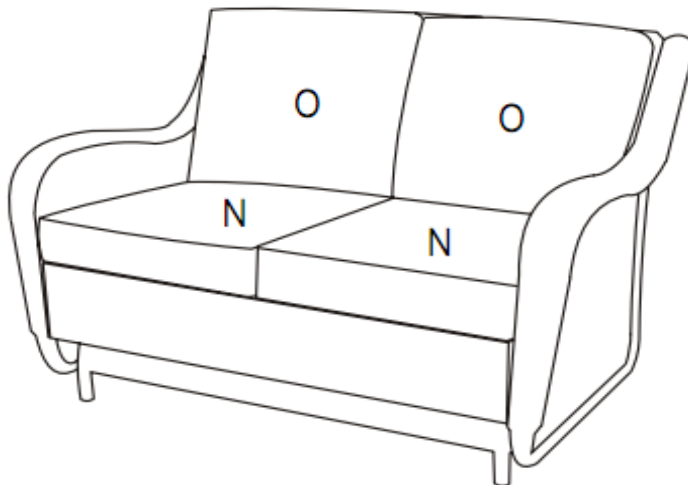


ASSEMBLY INSTRUCTIONS (CONTINUED)

STYLE #: 61SRR4504

STEP 5

- A. ROTATE ASSEMBLED UNIT TO UPRIGHT POSITION.
- B. PLACE SEAT CUSHIONS (N) AND BACK CUSHIONS (O) ON THE LOVESEAT GLIDER.
- C. ASSEMBLY IS COMPLETE



** WE RECOMMEND THAT YOU SAVE THE ALLEN WRENCH (H & L) AND PERIODICALLY TIGHTEN ALL BOLTS.

WEIGHT LIMIT

500 LBS

CARE AND CLEANING

WASH FRAME WITH MILD SOLUTION OF SOAP AND WATER, RINSE WITH CLEAN WATER AND DRY THOROUGHLY. CUSHIONS SHOULD BE SPOT CLEANED WITH A SOFT CLOTH. DO NOT STAND OR CLIMB ON THE LOVESEAT GLIDER.

WARRANTY

1 YEAR LIMITED WARRANTY FOR FRAME, WEAVE AND CUSHIONS.

WHAT IS COVERED:

WE WARRANT TO THE ORIGINAL PURCHASER FOR ONE YEAR, FROM THE DATE OF PURCHASE, THAT THE FRAME, RESIN WEAVE AND CUSHIONS WILL BE FREE FROM MANUFACTURING DEFECTS. THIS WARRANTY ALSO COVERS PEELING, CRACKING, BLISTERING, DISCOLORATION, OR FADING FOR THIS ONE YEAR PERIOD.

WHAT IS NOT COVERED:

IT REMAINS THE CUSTOMER'S RESPONSIBILITY FOR FREIGHT AND PACKAGING CHARGES TO AND FROM OUR SERVICE CENTER. THIS WARRANTY DOES NOT COVER COMMERCIAL USE, ACTS OF NATURE, FIRE, FREEZING, AND ABUSIVE USE. DISCOLORATION OR FADING OF THE FINISH OR FABRICS AS A RESULT OF CHEMICALS OR SPILLS IS NOT COVERED. GLASS TABLETOP BREAKAGE AND CORROSION OR RUSTING OF HARDWARE ARE NOT COVERED. IN ADDITION, PURCHASED PART ARE NOT COVERED UNDER THIS WARRANTY. PROOF OF PURCHASE (DATED REGISTER RECEIPT) IS REQUIRED FOR WARRANTY CLAIMS. WE RESERVE THE RIGHT TO MAKE SUBSTITUTIONS WITH SIMILAR MERCHANDISE, IF THE MODEL IS NO LONGER IN PRODUCTION. WARRANTY IS TO THE ORIGINAL PURCHASER AND IS NOT TRANSFERABLE. AS SOME STATES DO NOT ALLOW EXCLUSIONS OR LIMITATIONS ON AN IMPLIED WARRANTY, THE ABOVE EXCLUSIONS AND LIMITATIONS MAY NOT APPLY. THIS WARRANTY GIVES YOU SPECIFIC RIGHTS, AND YOU MAY ALSO HAVE OTHER RIGHTS, WHICH VARY FROM STATE TO STATE.

CUSTOMER SERVICE

FOR REPLACEMENT PARTS OR FOR ADDITIONAL INFORMATION

CALL: 1-800-327-2978 9AM TO 5PM EST, Monday-Friday

EMAIL: info@grandbasketco.com