









SAVE THESE INSTRUCTIONS

SONOMA BRAMPTON ARMLESS DINING CHAIR ASSEMBLY INSTRUCTIONS

STYLE #: 71SRRWK33

ASSEMBLE ON A FLAT, PROTECTED SURFACE.

PART LIST	FIGURE	QUANTITY	DESCRIPTION
A		1 PC	CHAIR SEAT
B		2 PCS	FRONT LEG
C		1 PC	RIGHT BACK LEG
D		1 PC	LEFT BACK LEG
E		12 PCS + 1 PCS	BOLT (M6*15MM)
F		12 PCS + 1 PCS	FLAT WASHER
G		1 PC	ALLEN WRENCH
H		1 PC	CUSHION

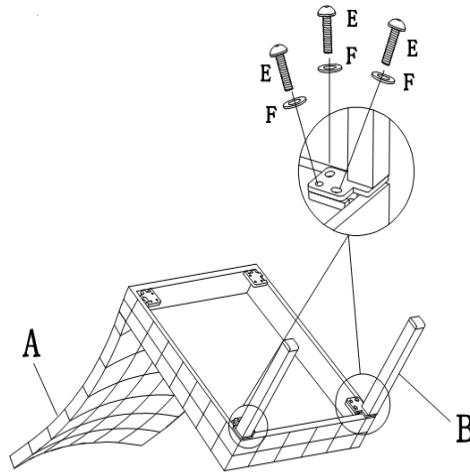
ASSEMBLY INSTRUCTIONS (CONTINUED)

STYLE #: 71SRRWK33

STEP 1

A. PLACE CHAIR SEAT (A) UPSIDE DOWN ON A FLAT, PROTECTED SURFACE.

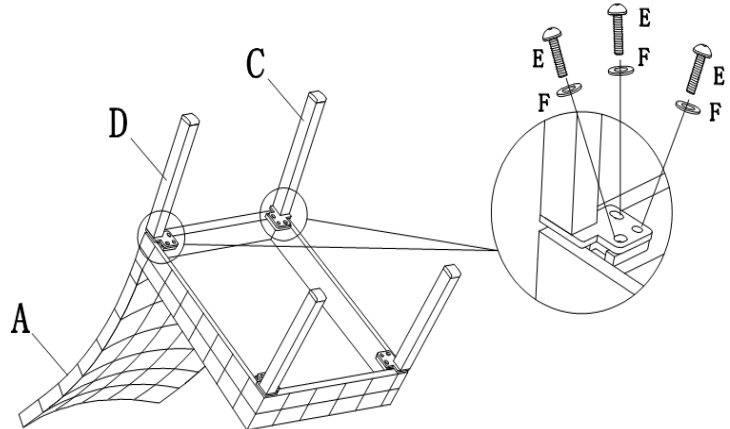
B. CONNECT TWO FRONT LEGS (B) TO CHAIR SEAT (A) WITH FLAT WASHERS (F) AND BOLTS (E) USING ALLEN WRENCH (G). TIGHTEN COMPLETELY.



STEP 2

A. CONNECT RIGHT BACK LEG (C) TO CHAIR SEAT (A) WITH FLAT WASHERS (F) AND BOLTS (E) USING ALLEN WRENCH (G). TIGHTEN COMPLETELY.

B. CONNECT LEFT BACK LEG (D) TO CHAIR SEAT (A) WITH FLAT WASHERS (F) AND BOLTS (E) USING ALLEN WRENCH (G). TIGHTEN COMPLETELY.

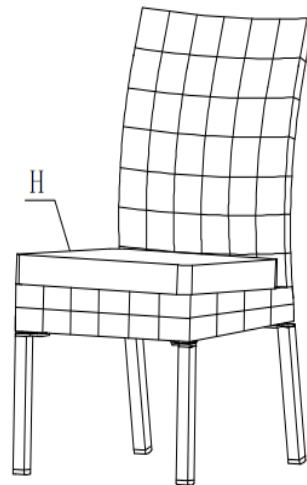


STEP 3

A. ROTATE CHAIR TO UPRIGHT POSITION SO THAT IT STANDS STABLE ON THE FLOOR.

B. PLACE CUSHION (H) ON SEAT AND CONNECT STRAP BEHIND CHAIR BACK.

C. ASSEMBLY IS COMPLETE.



ASSEMBLY INSTRUCTIONS (CONTINUED)

STYLE #: 71SRRWK33

** WE RECOMMEND THAT YOU SAVE THE ALLEN WRENCH AND PERIODICALLY TIGHTEN ALL BOLTS.

WEIGHT LIMIT

250 LBS

CARE AND CLEANING

FRAME: WIPE CLEAN WITH A MILD SOAP AND WATER SOLUTION, RINSE WITH CLEAN WATER, AND DRY THOROUGHLY.

CUSHION: SPOT CLEAN WITH A SOFT CLOTH.

DO NOT STAND OR CLIMB ON CHAIR.

IN ORDER TO PROLONG THE LIFE OF YOUR CHAIR, PLEASE STORE IN DRY SHELTERED PLACE WHEN NOT IN USE OR DURING INCLEMENT WEATHER.

WARRANTY

1 YEAR LIMITED WARRANTY FOR FRAME.

CUSTOMER SERVICE: PLEASE NOTE - DO NOT RETURN THIS ITEM TO THE RETAILER.

CUSTOMER SERVICE HOT LINE: 1-866-905-4107

WEBSITE: WWW.YOTRIOINT.COM

TO ASSIST YOU BETTER, PLEASE GATHER THE FOLLOWING INFORMATION BEFORE CALLING CUSTOMER SERVICE:
PRODUCT NAME AND STYLE NUMBER, DESCRIPTION AND OR IMAGES OF THE ISSUE, ORIGINAL STORE PURCHASE