
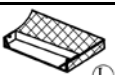












SAVE THESE INSTRUCTIONS

SONOMA BRAMPTON STATIONARY CHAIR ASSEMBLY INSTRUCTIONS

STYLE #: 71SRRWK04

ASSEMBLE ON A FLAT, PROTECTED SURFACE.

PART LIST	FIGURE	QUANTITY	DESCRIPTION
A		1 PC	RIGHT ARM
B		1 PC	LEFT ARM
C		1 PC	BACK
D		1 PC	SEAT
E		4 PCS + 1 PC	SHORT BOLT (M6*25MM)
F		2 PCS + 1 PC	MEDIUM BOLT (M6*30MM)
G		4 PCS + 1 PC	LONG BOLT (M6*45MM)
H		10 PCS + 1 PC	FLAT WASHER
I		2 PCS + 1 PC	PLASTIC WASHER
J		1 PC	ALLEN WRENCH
K		1 PC	SEAT CUSHION
L		1 PC	BACK CUSHION

ASSEMBLY INSTRUCTIONS (CONTINUED)

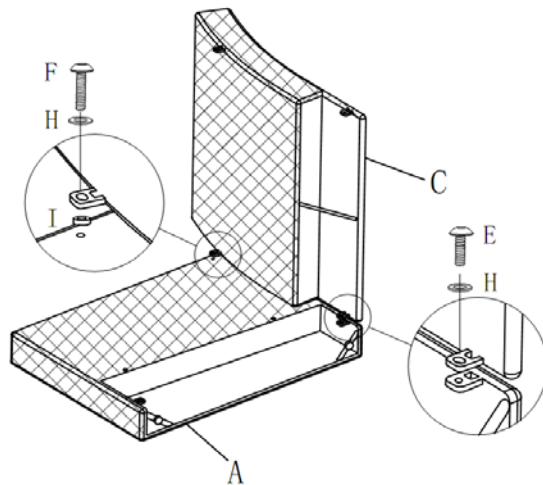
STYLE #: 71SRRWK04

STEP 1

A. PLACE RIGHT ARM (A) ON A FLAT, PROTECTED SURFACE.

B. CONNECT THE BOTTOM OF RIGHT ARM (A) TO BACK (C) WITH SHORT BOLTS (E) AND FLAT WASHERS (H) USING ALLEN WRENCH (J). DO NOT TIGHTEN COMPLETELY.

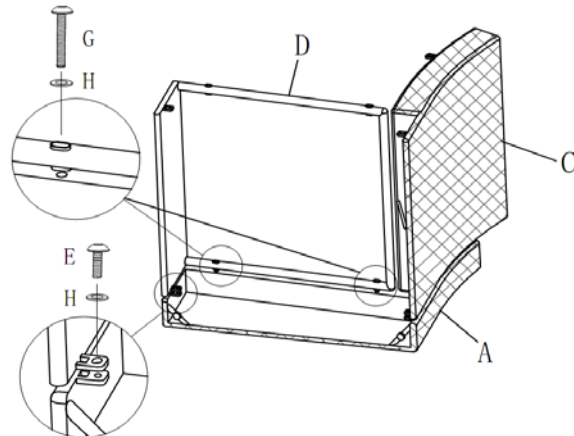
C. CONNECT THE TOP OF RIGHT ARM (A) TO BACK (C) WITH MEDIUM BOLTS (F), FLAT WASHERS (H), AND PLASTIC WASHERS (I) USING ALLEN WRENCH (J). DO NOT TIGHTEN COMPLETELY.



STEP 2

A. CONNECT BOTTOM OF SEAT (D) TO RIGHT ARM (A) WITH LONG BOLTS (G) AND FLAT WASHERS (H) USING ALLEN WRENCH (J) AS SHOWN. DO NOT TIGHTEN COMPLETELY.

B. CONNECT FRONT OF SEAT (D) TO RIGHT ARM (A) WITH SHORT BOLT (E) AND FLAT WASHER (H) USING ALLEN WRENCH (J). DO NOT TIGHTEN COMPLETELY.

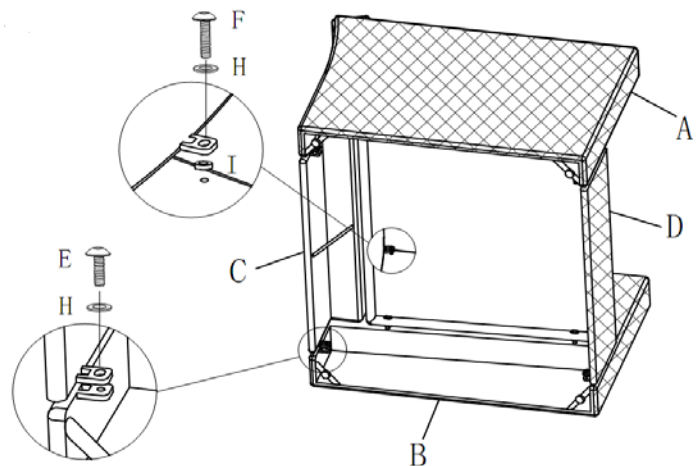


STEP 3

A. PLACE LEFT ARM (B) ON A FLAT, PROTECTED SURFACE. ROTATE ASSEMBLED UNIT ONTO LEFT ARM AS SHOWN.

B. CONNECT THE BOTTOM OF LEFT ARM (B) TO BACK (C) WITH SHORT BOLTS (E) AND FLAT WASHERS (H) USING ALLEN WRENCH (J). DO NOT TIGHTEN COMPLETELY.

C. CONNECT THE TOP OF LEFT ARM (B) TO BACK (C) WITH MEDIUM BOLT (F), FLAT WASHER (H), AND PLASTIC WASHER (I) USING ALLEN WRENCH (J). DO NOT TIGHTEN COMPLETELY.



ASSEMBLY INSTRUCTIONS (CONTINUED)

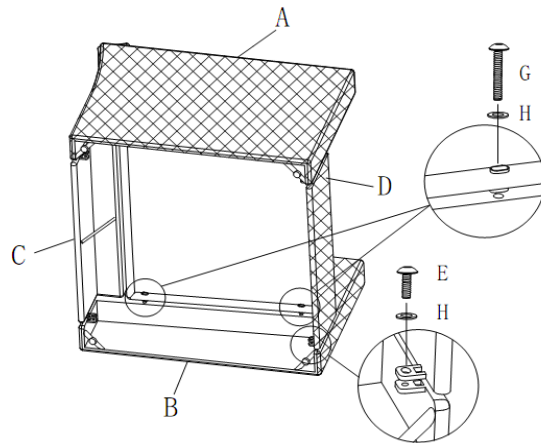
STYLE #: 71SRRWK04

STEP 4

A. CONNECT BOTTOM OF SEAT (D) TO LEFT ARM (B) WITH LONG BOLTS (G) AND FLAT WASHERS (H) USING ALLEN WRENCH (J) AS SHOWN. DO NOT TIGHTEN COMPLETELY.

B. CONNECT FRONT OF SEAT (D) TO LEFT ARM (B) WITH SHORT BOLT (E) AND FLAT WASHER (H) USING ALLEN WRENCH (J). DO NOT TIGHTEN COMPLETELY.

C. TIGHTEN COMPLETELY ALL BOLTS.



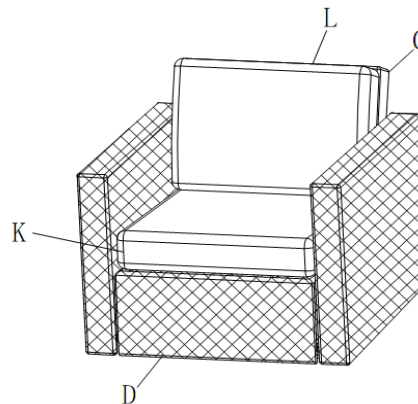
STEP 5

A. ROTATE CHAIR TO UPRIGHT POSITION.

B. PLACE SEAT CUSHION (K) ON SEAT (D). PLACE BACK CUSHION (L) ON BACK (C).

C. ADJUST LEVELERS ON BOTTOM UNTIL THE CHAIR IS STABLE.

D. ASSEMBLY IS COMPLETE.



** WE RECOMMEND THAT YOU SAVE THE ALLEN WRENCH AND PERIODICALLY TIGHTEN ALL BOLTS.

WEIGHT LIMIT

250 LBS

CARE AND CLEANING

FRAME: WIPE CLEAN WITH A MILD SOAP AND WATER SOLUTION, RINSE WITH CLEAN WATER, AND DRY THOROUGHLY.

CUSHION: SPOT CLEAN WITH A SOFT CLOTH.

DO NOT STAND OR CLIMB ON CHAIR.

IN ORDER TO PROLONG THE LIFE OF YOUR CHAIR, PLEASE STORE IN DRY SHELTERED PLACE WHEN NOT IN USE OR DURING INCLEMENT WEATHER.

WARRANTY

1 YEAR LIMITED WARRANTY FOR FRAME.

CUSTOMER SERVICE: PLEASE NOTE - DO NOT RETURN THIS ITEM TO THE RETAILER.

CUSTOMER SERVICE HOT LINE: 1-866-905-4107

WEBSITE: WWW.YOTRIOINT.COM

TO ASSIST YOU BETTER, PLEASE GATHER THE FOLLOWING INFORMATION BEFORE CALLING CUSTOMER SERVICE: PRODUCT NAME AND STYLE NUMBER, DESCRIPTION AND OR IMAGES OF THE ISSUE, ORIGINAL STORE PURCHASE RECEIPT.