


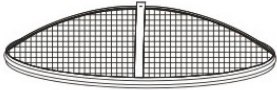


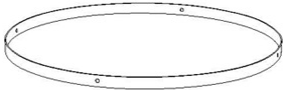
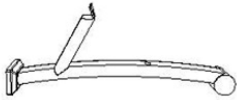

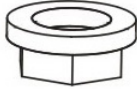



SAVE THESE INSTRUCTIONS

SONOMA OUTDOORS DEEP BOWL FIRE PIT ASSEMBLY INSTRUCTIONS

STYLE #: 71SRRFR01

ASSEMBLE ON A FLAT, PROTECTED SURFACE.

PHILLIPS HEAD SCREWDRIVER AND WRENCH NEEDED FOR ASSEMBLY; NOT INCLUDED.

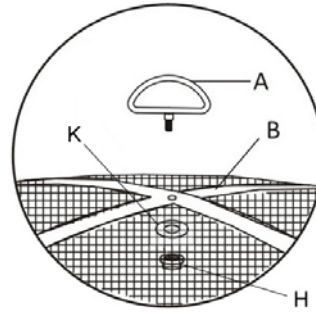
PART LIST	FIGURE	QUANTITY	DESCRIPTION
A		1 PC	HANDLE
B		1 PC	MESH COVER
C		1 PC	WOOD GRATE
D		1 PC	FIRE BOWL
E		1 PC	RING
F		4 PCS	LEG
G		1 PC	POKER
H		1 PC +1 PC	NUT
I		8 PCS + 1 PC	BOLT (M6 X 12MM)
J		8 PCS + 1 PC	SMALL FLAT WASHER (M6 X 12MM)
K		1 PC +1 PC	LARGE FLAT WASHER (M6 X 15MM)

ASSEMBLY INSTRUCTIONS (CONTINUED)

STYLE #: 71SRRFR01

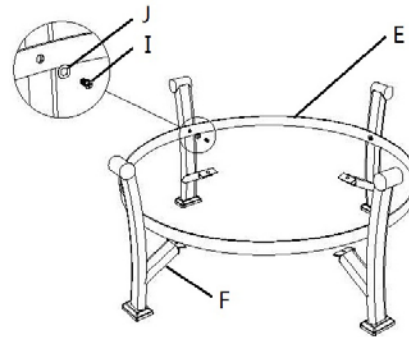
STEP 1

A. INSERT HANDLE (A) INTO HOLE IN MESH COVER (B) AND SECURE IT WITH LARGE FLAT WASHER (K) AND NUT (H) USING WRENCH, NOT INCLUDED. TIGHTEN COMPLETELY BUT DO NOT OVERTIGHTEN.



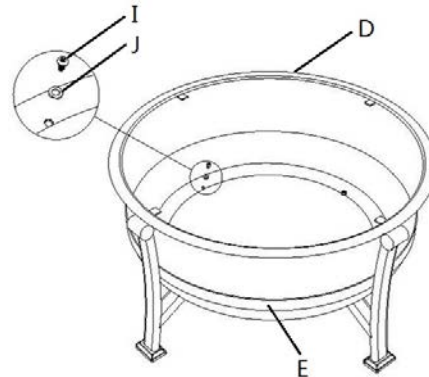
STEP 2

A. ATTACH LEGS (F) TO RING (E) WITH BOLTS (I) AND SMALL FLAT WASHERS (J) USING PHILLIPS HEAD SCREWDRIVER, NOT INCLUDED. TIGHTEN COMPLETELY.



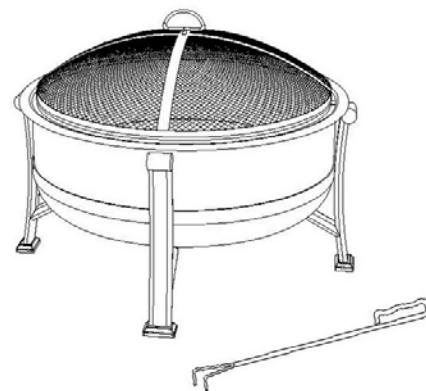
STEP 3

A. INSERT FIRE BOWL (D) INTO RING(E).
B. ATTACH THE FIRE BOWL (D) TO THE LEGS (F) WITH BOLTS (I) AND SMALL FLAT WASHERS (J) USING PHILLIPS HEAD SCREWDRIVER, NOT INCLUDED. TIGHTEN COMPLETELY.



STEP 4

A. PLACE WOOD GRATE (C) INTO POSITION IN THE FIRE BOWL (D).
B. PLACE MESH COVER (B) ON TOP OF THE FIRE BOWL (D).
C. USE POKER (G) TO REMOVE AND REPLACE MESH COVER (B) WHEN IN USE TO PREVENT BURNING INJURY.
D. ASSEMBLY IN COMPLETE.



ASSEMBLY INSTRUCTIONS (CONTINUED)

STYLE #: 71SRRFR01

**** WE RECOMMEND THAT YOU PERIODICALLY TIGHTEN ALL BOLTS WITH PHILLIPS HEAD SCREWDRIVER AND WRENCH, NOT INCLUDED.**

WEIGHT LIMIT

50 LBS

CARE AND CLEANING

1. TO AVOID METAL CORROSION OR DAMAGE, DO NOT USE WATER TO EXTINGUISH FLAMES.
2. FOR END OF SEASON STORAGE, EMPTY THE COLD ASHES FROM THE BASIN AND WIPE THE INNER AND OUTER SURFACES WITH WARM WATER AND MILD DETERGENT, USING A NON-ABRASIVE SPONGE OR CLOTH. ALLOW TO DRY THOROUGHLY.
3. STORE CLEANED UNIT INSIDE A DRY LOCATION AT THE END OF SEASON.

WARRANTY

1 YEAR LIMITED WARRANTY

FOR TECHNICAL ASSISTANCE ON ASSEMBLY OR REPLACEMENT PARTS, PLEASE DO NOT RETURN THIS PRODUCT TO THE STORE. EMAIL YAYI TECH. AT CUSTOMERCARE@CHINA-YAYI.COM OR CALL AT 855-600-9294 FROM 9:00 AM TO 5:00 EST FOR ASSISTANCE.

WARNINGS

 **FOR OUTDOOR USE ONLY. FOLLOW ALL WARNINGS AND INSTRUCTIONS.**

1. CHECK LOCAL FIRE REGULATIONS BEFORE USING.
2. THE FIRE PIT IS HOT! DO NOT ALLOW CHILDREN TO PLAY NEAR IT WHEN FIRE PIT IS IN USE. ALWAYS KEEP CHILDREN & PETS AWAY FROM THIS PRODUCT.
3. DO NOT TOUCH THE SURFACE OF MESH COVER, WOOD GRATE, AND FIRE BOWL WITH BARE HANDS WHILE IN USE, AS IT MAY CAUSE BURNS. WHEN THE FIRE PIT IS IN USE, THE HANDLE ON THE MESH SCREEN CAN REACH EXTREME TEMPERATURES THAT WILL CAUSE INJURY TO AN UNPROTECTED HAND. PLEASE USE POKER OR AN APPROPRIATE HEAT RESISTANT GLOVE OR PAD WHEN HANDLING.
4. THE FIRE PIT IS INTENDED TO BURN WOOD LOGS ONLY. DO NOT OVERLOAD LOGS OR BURN COAL, LEAVES, OR OTHER COMBUSTIBLE MATERIALS IN FIRE PIT.
5. KEEP ALL COMBUSTIBLE ITEMS SUCH AS OUTDOOR FURNITURE, CLOTHING, PLANT, AND OTHER ITEMS AT LEAST 24" AWAY FROM THE FIRE PIT. NEVER USE THE FIRE PIT UNDER A COVERED TENT, GAZEBO, PATIO, OR PORCH.
6. DO NOT USE IT ON WOODEN DECKS.
7. NEVER LEAVE BURING FIRE PIT UNATTENDED. ENSURE FIRE HAS BURNED OUT COMPLETELY AND PLACE THE MESH COVER ON IT BEFORE LEAVING. KEEP A FIRE EXTINGUISHER HANDY.
8. DO NOT USE THIS FIRE PIT AS A COOKING APPLIANCE. IT IS NOT DESIGNED TO BE USED TO GRILL FOOD.

CALIFORNIA PROPOSITION 65 WARNING

9. THE BURNING OF NATURAL FIREWOOD, NATURAL GAS, MANUFACTURED FIREPLACE LOGS, AND FIRE STARTERS CAN RESULT IN THE EMISSIONS OF CARBON MONOXIDE, SOOT, AND OTHER COMBUSTION BY-PRODUCTS. THE STATE OF CALIFORNIA RECOGNIZES THAT THESE BY-PRODUCTS MAY CAUSE CANCER, BIRTH DEFECTS, OR REPRODUCTIVE HARM.