









**SAVE THESE INSTRUCTIONS**  
**CORONADO SQUARE TILE HIGH DINING TABLE**  
**STYLE #: 61SRR2702COR**  
**ASSEMBLE ON A FLAT, PROTECTED SURFACE.**

PART LIST	FIGURE	QUANTITY	DESCRIPTION
A		1 PC	TABLE TOP
B		4 PCS	LEG
C		1 PC	LEG CONNECTOR
D		4 + 1 PCS	TILE
E		1 PC	UMBRELLA HOLE CAP
F		16 + 1 PCS	BOLT (M6*15)
G		16 + 1 PCS	FLAT WASHER
H		1 PC	ALLEN WRENCH

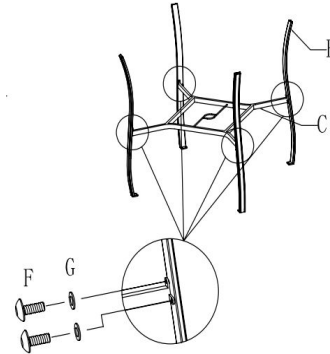
# CORONADO SQUARE TILE HIGH DINING TABLE

## STYLE #: 61SRR2702COR

### ASSEMBLY INSTRUCTIONS (CONTINUED)

**STEP 1**

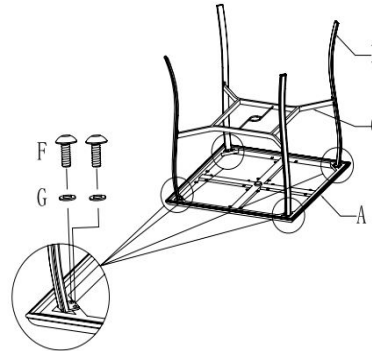
A. ATTACH LEGS (B) TO LEG CONNECTOR (C) USING FLAT WASHER (G) AND BOLT (F) WITH ALLEN WRENCH (H). DO NOT TIGHTEN COMPLETELY.



**STEP 2**

A. PLACE TABLE TOP (A) UPSIDE DOWN ON A FLAT, PROTECTED SURFACE.

B. ATTACH LEGS (B) TO TABLE TOP (A) USING FLAT WASHER (G) AND BOLT (F) USING ALLEN WRENCH (H). DO NOT TIGHTEN COMPLETELY.

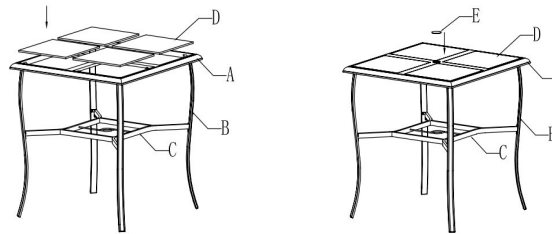


**STEP 3**

A. TURN TABLE TO UPRIGHT POSITION SO THAT IT STANDS STABLE ON THE FLOOR.

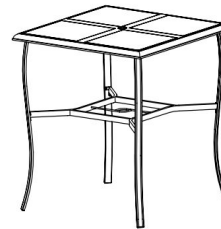
B. TIGHTEN ALL BOLTS SECURELY USING ALLEN WRENCH (H).

C. CAREFULLY PLACE TILES (D) AND UMBRELLA HOLE CAP (E) ONTO TABLE TOP (A).



**STEP 4**

A. KEEP ALLEN WRENCH (H) TO TIGHTEN ALL BOLTS PERIODICALLY AS NEEDED.



**WEIGHT LIMIT**  
200 LBS

**CARE AND CLEANING**

IN ORDER TO PROLONG THE LIFE OF YOUR TABLE, PLEASE STORE IN DRY SHELTERED PLACE WHEN NOT IN USE OR DURING INCLEMENT WEATHER.

**WARRANTY**

1 YEAR LIMITED WARRANTY FOR FRAME .

CUSTOMER SERVICE: PLEASE NOTE - DO NOT RETURN THIS ITEM TO THE RETAILER.

CUSTOMER SERVICE HOT LINE: 1-866-905-4107

SERVICE HOURS: 11:30 A. M. to 8:00 P. M. EASTERN STANDARD TIME /8:30 A. M. to 5:00 P. M. PACIFIC STANDARD TIME

WEBSITE: WWW.YOTRIJOINT.COM

TO ASSIST YOU BETTER, PLEASE GATHER THE FOLLOWING INFORMATION BEFORE CALLING CUSTOMER SERVICE: PRODUCT NAME AND STYLE NUMBER, DESCRIPTION AND OR IMAGES OF THE ISSUE, ORIGINAL STORE PURCHASE RECEIPT.