

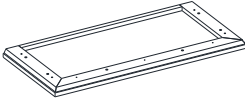
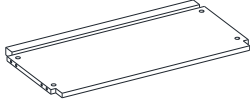
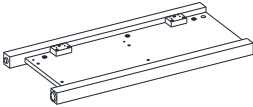
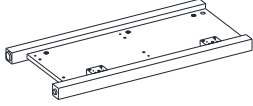

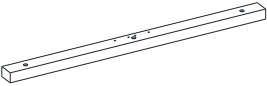
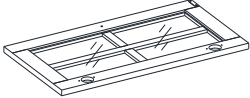
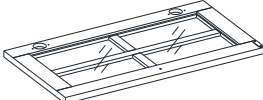
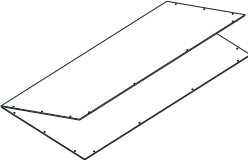

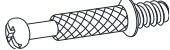
SAVE THESE INSTRUCTIONS

SONOMA CANTON GLASS CABINET ASSEMBLY INSTRUCTIONS

STYLE #: 71SNRST01

ASSEMBLE ON A FLAT, PROTECTED SURFACE.

PHILLIPS HEAD SCREWDRIVER NEEDED FOR ASSEMBLY; NOT INCLUDED.

PART LIST	FIGURE	QUANTITY	DESCRIPTION
A		1 PC	TOP
B		1 PC	BOTTOM
C		1 PC	LEFT SIDE
D		1 PC	RIGHT SIDE
E		1 PC	MIDDLE SHELF
F		1 PC	FRONT CROSSBAR
G		1 PC	LEFT DOOR
H		1 PC	RIGHT DOOR
I		1 PC	BACK PANEL
J		12 PCS + 1 PC	CAM LOCK
K		12 PCS + 1 PC	CAM BOLT


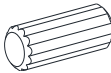

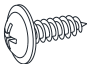
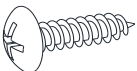
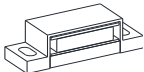

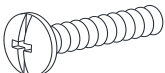

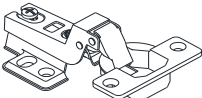
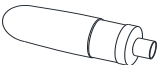

SAVE THESE INSTRUCTIONS

SONAMA CANTON GLASS CABINET ASSEMBLY INSTRUCTIONS (CONTINUED)

STYLE #: 71SNRST01

ASSEMBLE ON A FLAT, PROTECTED SURFACE.

PHILLIPS HEAD SCREWDRIVER NEEDED FOR ASSEMBLY; NOT INCLUDED.

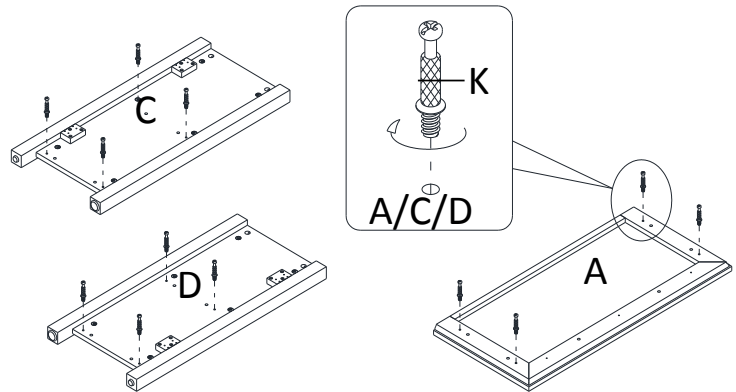
PART LIST	FIGURE	QUANTITY	DESCRIPTION
L		12 PCS + 1 PC	LONG WOOD DOWEL (Dia. 8 mm x 30 mm L)
M		2 PCS + 1 PC	SHORT WOOD DOWEL (Dia. 8 mm x 20 mm L)
N		3 PCS + 1 PC	LONG SCREW (Dia. 8 mm x 30 mm L)
O		22 PCS + 1 PC	SHORT SCREW (Dia. 3 mm x 12 mm L)
P		4 PCS + 1 PC	MEDIUM SCREW (Dia. 3 mm x 15 mm L)
Q		2 PCS	MAGNETIC CATCH
R		2 PCS	KNOB
S		2 PCS + 1 PC	KNOB BOLT (Dia. 5/32" x 3/4" L)
T		24 PCS + 1 PC	HINGE SCREW (Dia. 3.5 mm x 14 mm L)
U		4 PCS	HINGE
V		1 PC	GLUE
W		1 PC	TOUCH-UP PEN

ASSEMBLY INSTRUCTIONS (CONTINUED)

STYLE #: 71SNRST01

STEP 1

A. INSERT CAM BOLTS (K) INTO THE PRE-DRILLED SMALL HOLES ON TOP (A), LEFT SIDE (C), AND RIGHT SIDE (D) USING PHILLIPS HEAD SCREWDRIVER, NOT INCLUDED. TIGHTEN COMPLETELY.



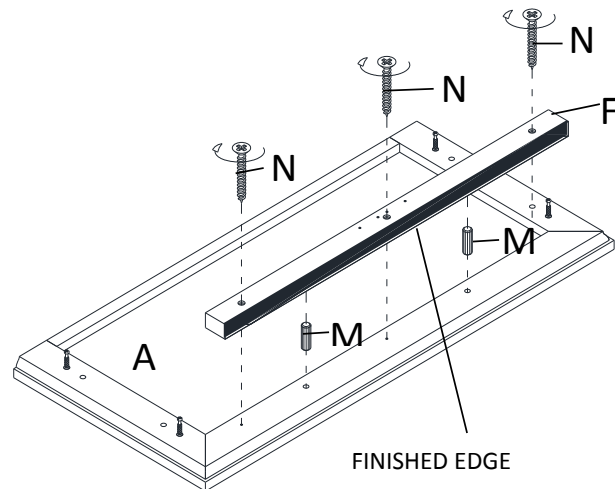
STEP 2

A. PLACE TOP (A) UPSIDE DOWN ON A FLAT, PROTECTED SURFACE.

B. PLACE A SMALL AMOUNT OF GLUE (V) IN DOWEL HOLES ON TOP (A). INSERT SMALL WOOD DOWELS (M).

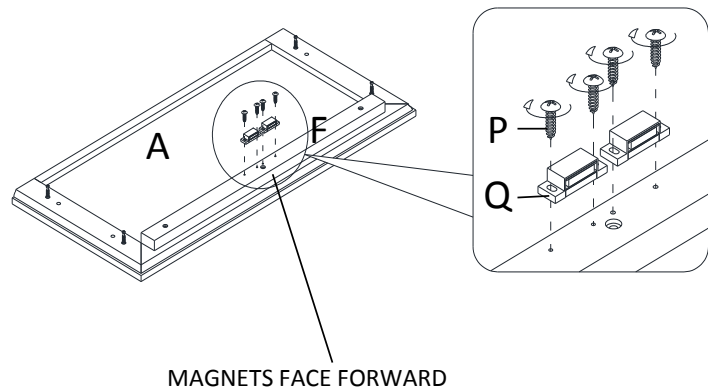
C. PLACE A SMALL AMOUNT OF GLUE (V) ON THE TOPS OF SMALL WOOD DOWELS (M).

D. ATTACH FRONT CROSSBAR (F) TO TOP (A) WITH LONG WOOD SCREWS (N) USING PHILLIPS HEAD SCREWDRIVER, NOT INCLUDED. TIGHTEN COMPLETELY.



STEP 3

A. ATTACH MAGNETIC CATCHES (Q) TO FRONT CROSSBAR (F) WITH MEDIUM SCREWS (P) USING PHILLIPS HEAD SCREWDRIVER, NOT INCLUDED. TIGHTEN COMPLETELY.

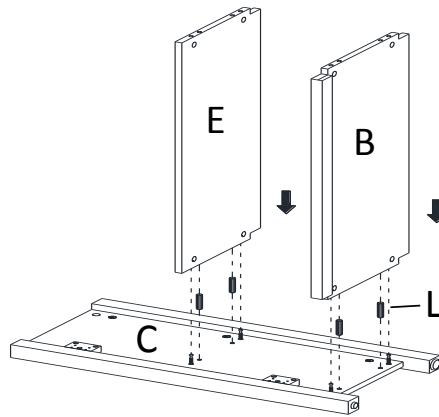


ASSEMBLY INSTRUCTIONS (CONTINUED)

STYLE #: 71SNRST01

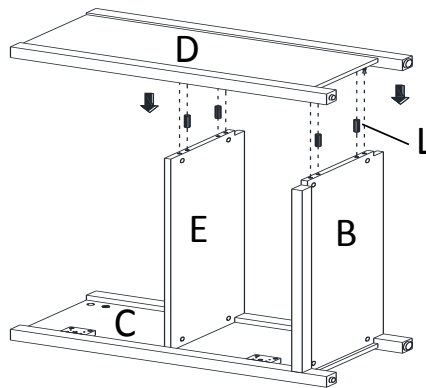
STEP 4

- A. PLACE LEFT SIDE (C) ON A FLAT, PROTECTED SURFACE.
- B. PLACE A SMALL AMOUNT OF GLUE (V) IN DOWEL HOLES ON LEFT SIDE (C). INSERT LONG WOOD DOWELS (L).
- C. PLACE A SMALL AMOUNT OF GLUE (V) ON THE TOPS OF LONG WOOD DOWELS (L).
- D. ATTACH BOTTOM (B) AND MIDDLE SHELF (E).



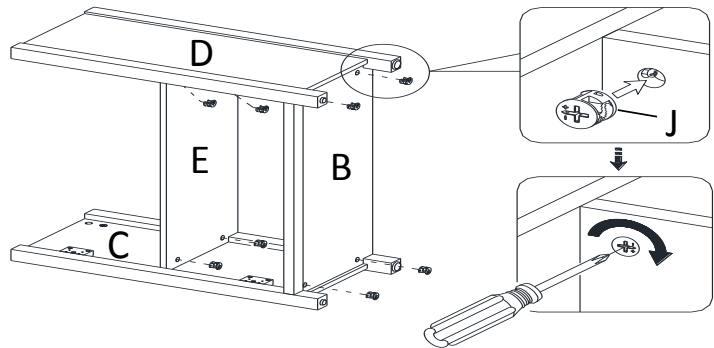
STEP 5

- A. PLACE A SMALL AMOUNT OF GLUE (V) IN DOWEL HOLES ON BOTTOM SHELF (B) AND MIDDLE SHELF (E). INSERT LONG WOOD DOWELS (L).
- B. PLACE A SMALL AMOUNT OF GLUE (V) ON THE TOPS OF LONG WOOD DOWELS (L).
- C. ATTACH RIGHT SIDE (D).



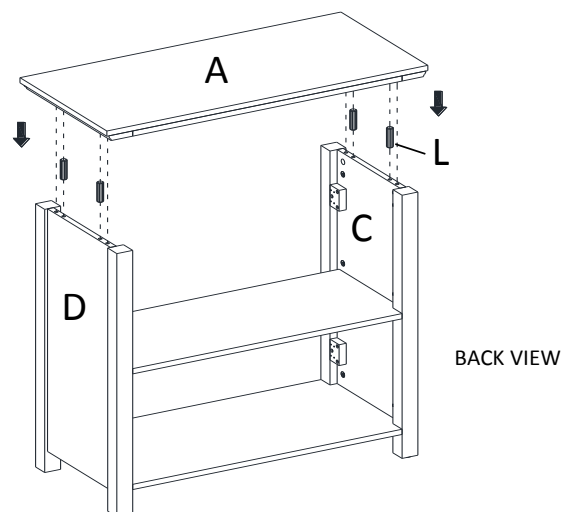
STEP 6

- A. INSERT CAM LOCKS (J) ON BOTTOM SHELF (B) AND MIDDLE SHELF (E).
- B. TURN CAM LOCKS USING PHILLIPS HEAD SCREWDRIVER, NOT INCLUDED, TO SECURE BOTTOM SHELF (B) AND MIDDLE SHELF (E) TO LEFT SIDE (C) AND RIGHT SIDE (D).



STEP 7

- A. ROTATE ASSEMBLED UNIT TO STANDING POSITION.
- B. PLACE A SMALL AMOUNT OF GLUE (V) IN DOWEL HOLES ON THE TOP END OF LEFT SIDE (C) AND RIGHT SIDE (D). INSERT LONG WOOD DOWELS (L).
- C. PLACE A SMALL AMOUNT OF GLUE (V) ON THE TOPS OF LONG WOOD DOWELS (L) OF LEFT SIDE (C) AND RIGHT SIDE (D).
- D. ATTACH TOP (A) TO LEFT SIDE (C) AND RIGHT SIDE (D).



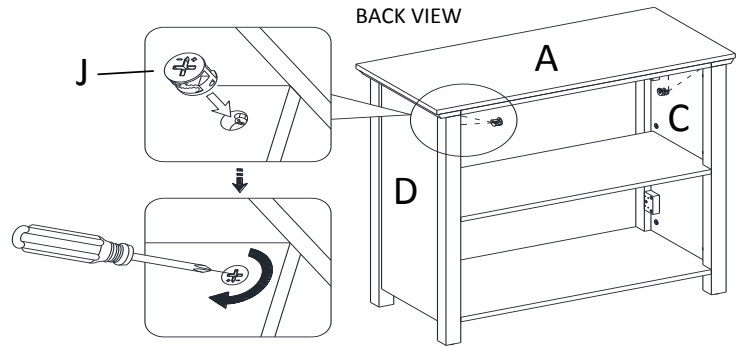
ASSEMBLY INSTRUCTIONS (CONTINUED)

STYLE #: 71SNRST01

STEP 8

A. INSERT CAM LOCKS (J) ON LEFT SIDE (C) AND RIGHT SIDE (D).

B. TURN CAM LOCKS USING PHILLIPS HEAD SCREWDRIVER, NOT INCLUDED, TO SECURE TOP (A) TO LEFT SIDE (C) AND RIGHT SIDE (D).



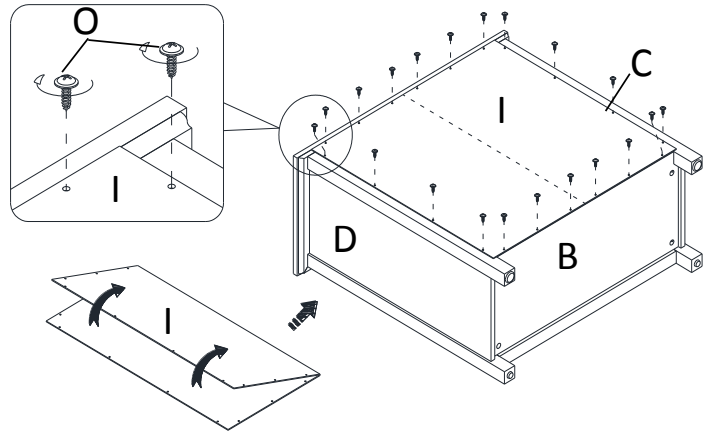
STEP 9

A. PLACE ASSEMBLED UNIT FACE DOWN ON A FLAT, PROTECTED SURFACE.

B. UNFOLD BACK PANEL (I) AND PLACE ON BACK OF ASSEMBLED UNIT.

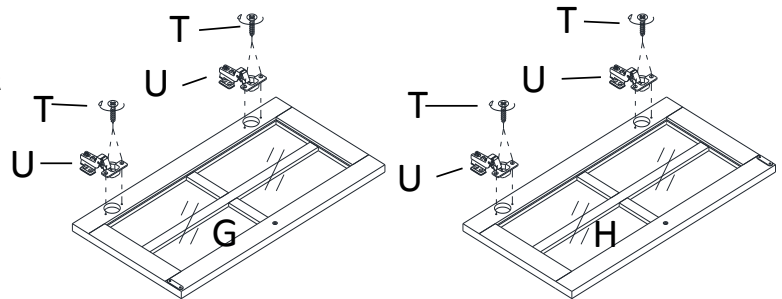
C. ATTACH BACK PANEL (I) TO ASSEMBLED UNIT WITH SHORT SCREWS (O) USING PHILLIPS HEAD SCREWDRIVER, NOT INCLUDED.

D. ROTATE THE ASSEMBLED UNIT TO STANDING POSITION.



STEP 10

A. ATTACH HINGES (U) TO LEFT DOOR (G) AND RIGHT DOOR (H) WITH HINGE SCREWS (T) USING PHILLIPS HEAD SCREWDRIVER, NOT INCLUDED.



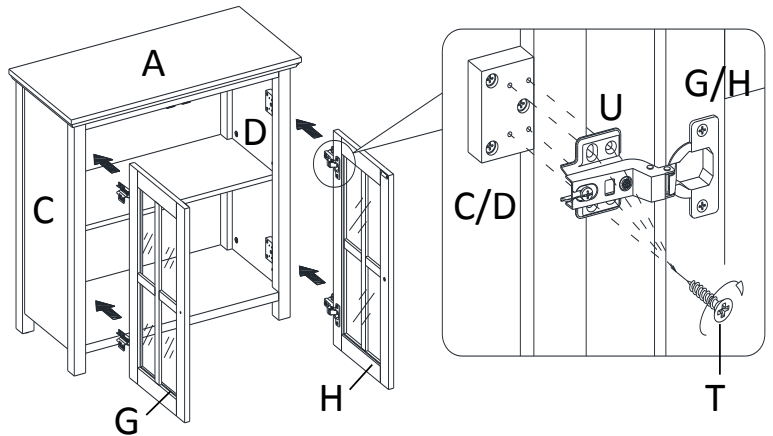
ASSEMBLY INSTRUCTIONS (CONTINUED)

STYLE #: 71SNRST01

STEP 11

A. ATTACH LEFT DOOR (G) TO LEFT SIDE (C) WITH HINGE SCREWS (T) USING PHILLIPS HEAD SCREWDRIVER, NOT INCLUDED.

B. ATTACH RIGHT DOOR (H) TO RIGHT SIDE (D) WITH HINGE SCREWS (T) USING PHILLIPS HEAD SCREWDRIVER, NOT INCLUDED.

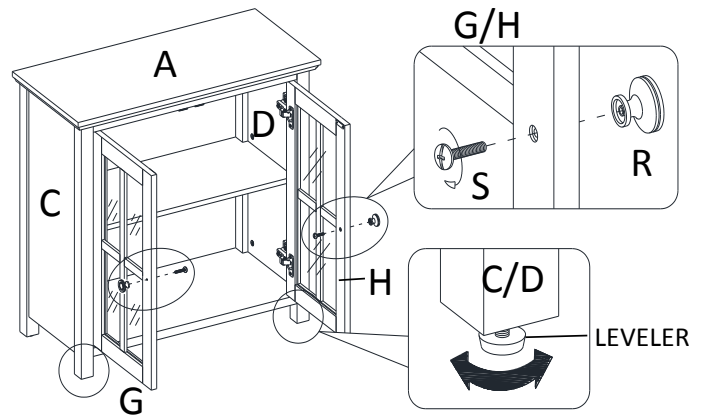


STEP 12

A. ATTACH KNOBS (R) TO LEFT DOOR (G) AND RIGHT DOOR (H) WITH KNOB BOLTS (S) USING PHILLIPS HEAD SCREWDRIVER, NOT INCLUDED.

B. ADJUST LEVELERS ON BOTTOM AT FRONT OF CABINET UNTIL THE UNIT IS STABLE.

C. ASSEMBLY IS COMPLETE.




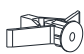



ANTI-TIP HARDWARE MOUNTING INSTRUCTIONS FOR DRYWALL
STYLE #: 71SNRST01

PHILLIPS HEAD SCREWDRIVER, DRILL, & 7/16" DRILL BIT NEEDED FOR ASSEMBLY; NOT INCLUDED.
 FOR SAFETY REASONS, INSTALL THIS PRODUCT USING THE INCLUDED ANTI-TIP HARDWARE TO HELP PREVENT THE PRODUCT FROM UNEXPECTEDLY TIPPING OR SHIFTING.

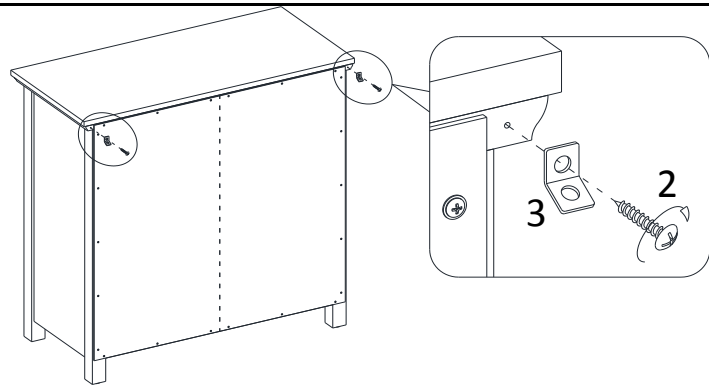
THE INCLUDED MATERIALS ARE DESIGNED TO MOUNT THE ANTI-TIP HARDWARE TO DRYWALL.

PLEASE CONSULT A REPRESENTATIVE AT A HARDWARE/HOME IMPROVEMENT STORE TO DISCUSS ADDITIONAL MOUNTING OPTIONS FOR OTHER TYPES OF WALLS.

PART LIST	FIGURE	QUANTITY	DESCRIPTION
1		2 PCS	LONG SCREW (Dia. 4 mm x 38 mm L)
2		2 PCS	SHORT SCREW (Dia. 4 mm x 19 mm L)
3		4 PCS	METAL "L" BRACKET
4		2 PCS	WALL ANCHOR
5		2 PCS	ZIP TIE

STEP 1

A. ATTACH THE METAL "L" BRACKETS (3) TO THE BACK OF THE CABINET BY INSERTING SHORT SCREWS (2) INTO THE PILOT HOLES USING PHILLIPS HEAD SCREWDRIVER, NOT INCLUDED.

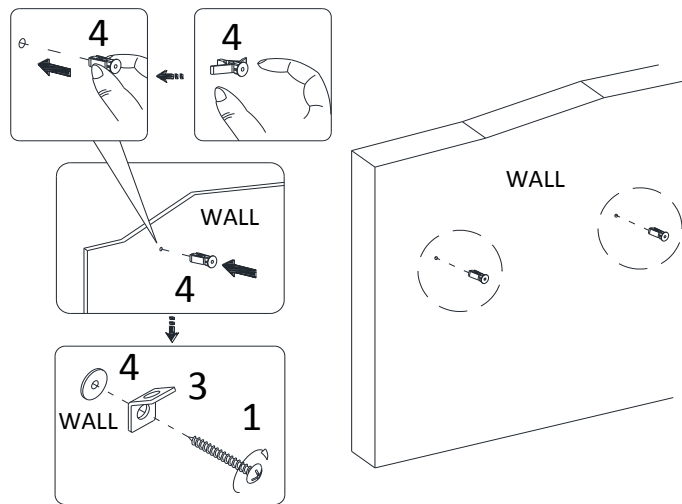


STEP 2

A. DETERMINE WHERE THE CABINET IS TO BE PLACED, THEN MARK THE POSITION ON THE WALL SO THE WALL ANCHORS (4) WILL ALIGN WITH THE METAL "L" BRACKETS (3) ON THE BACK OF THE CABINET.

B. DRILL HOLES IN THE WALL. PRESS WALL ANCHORS (4) INTO THE HOLES.

C. ATTACH REMAINING METAL "L" BRACKETS (3) INTO THE WALL ANCHORS (4) USING LONG SCREWS (1) WITH PHILLIPS HEAD SCREWDRIVER, NOT INCLUDED.



ANTI-TIP HARDWARE MOUNTING INSTRUCTIONS FOR DRYWALL (CONTINUED)

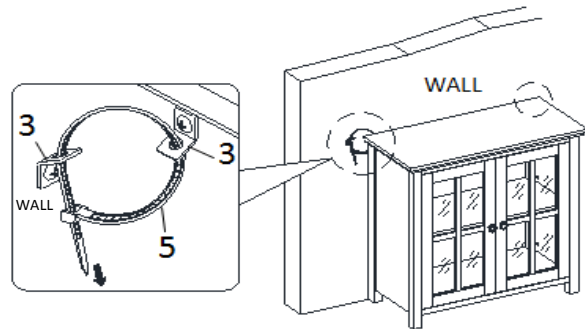
STYLE #: 71SNRST01

STEP 3

A. ALIGN METAL "L" BRACKETS (3) ON BACK OF CABINET TO THE METAL "L" BRACKETS (3) ON WALL.

B. FEED ZIP TIES (5) THROUGH METAL "L" BRACKETS (3) TO CONNECT CABINET TO WALL.

C. CHECK TO MAKE SURE ZIP TIES (5) ARE SECURELY TIGHTENED.



** WE RECOMMEND THAT YOU PERIODICALLY TIGHTEN ALL SCREWS USING PHILLIPS HEAD SCREWDRIVER, NOT INCLUDED.

WEIGHT LIMIT

TOP PANEL: 100 LBS; SHELVES: 50 LBS

CARE AND CLEANING

WIPE CLEAN WITH A SOFT, DRY CLOTHS AS NEEDED.

DO NOT SIT, STAND, OR CLIMB ON THE CABINET.

INTENDED FOR INDOOR USE ONLY.

**FOR REPLACEMENT PARTS OR FOR ADDITIONAL INFORMATION,
CALL: 1-866-942-5362 BETWEEN 8:30 A.M. AND 4:30 P.M., PST, MONDAY - FRIDAY.
EMAIL: parts@whalenfurniture.com