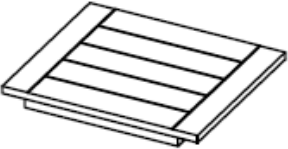
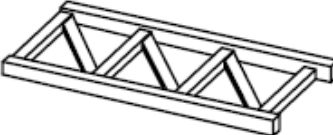
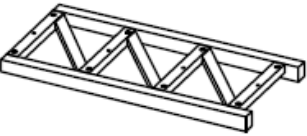
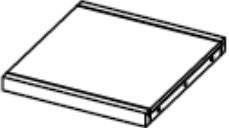








# SAVE THESE INSTRUCTIONS

## SONOMA CAMERON 3 DRAWER STORAGE TOWER ASSEMBLY INSTRUCTIONS

STYLE#: 53SNR4201HAZ, 53SNR4201WHT, 73SNRST01BLK

ASSEMBLE ON A FLAT, PROTECTED SURFACE

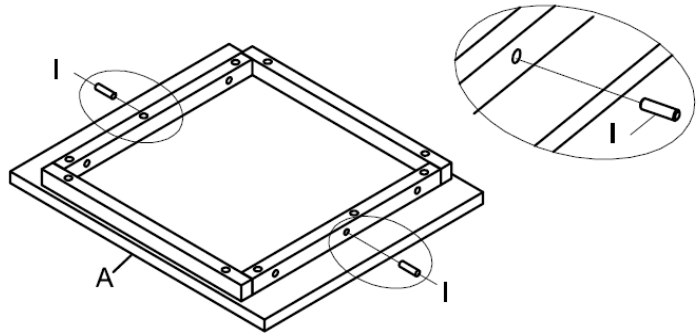
PART LIST	FIGURE	QUANTITY	DESCRIPTION
A		1 PC	TOP
B		1 PC	RIGHT SIDE FRAME
C		1 PC	LEFT SIDE FRAME
D		3 PCS	SHELF
E		3 PCS	BASKET
F		3 PCS	BASKET BOTTOM
G		16 PCS + 1 PC	BOLT
H		16 PCS + 1 PC	FLAT WASHER
I		8 PCS + 1 PC	WOOD DOWEL
J		1 PC	ALLEN WRENCH

**ASSEMBLY INSTRUCTIONS (CONTINUED)**  
**STYLE#: 53SNR4201HAZ, 53SNR4201WHT, 73SNRST01BLK**

**STEP 1**

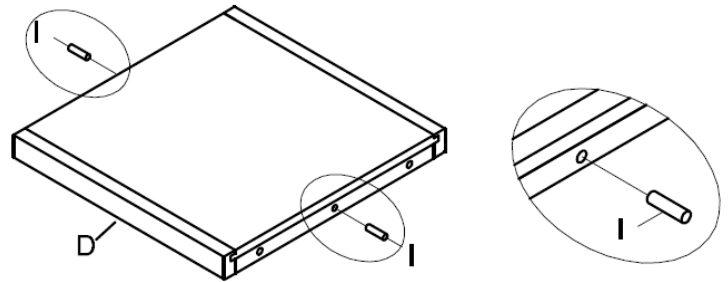
A. PLACE TOP (A) UPSIDE DOWN ON A FLAT, PROTECTED SURFACE.

B. INSERT WOOD DOWELS (I) INTO DOWEL HOLES IN TOP (A) AS SHOWN.



**STEP 2**

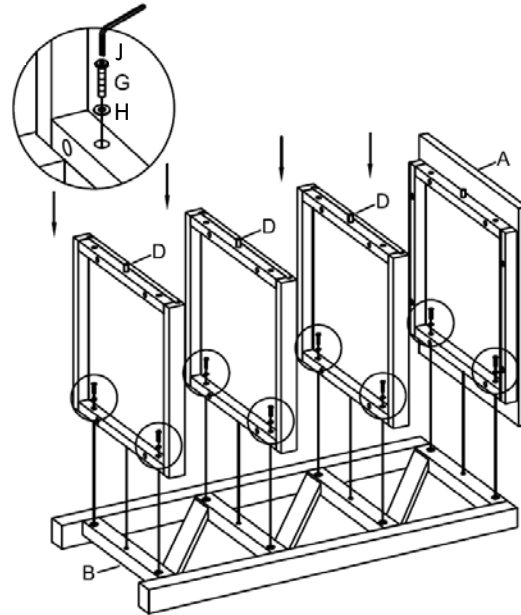
A. INSERT WOOD DOWELS (I) INTO THE DOWEL HOLES IN SHELVES (D) AS SHOWN.



**STEP 3**

A. PLACE SIDE FRAME (B) ON A FLAT, PROTECTED SURFACE.

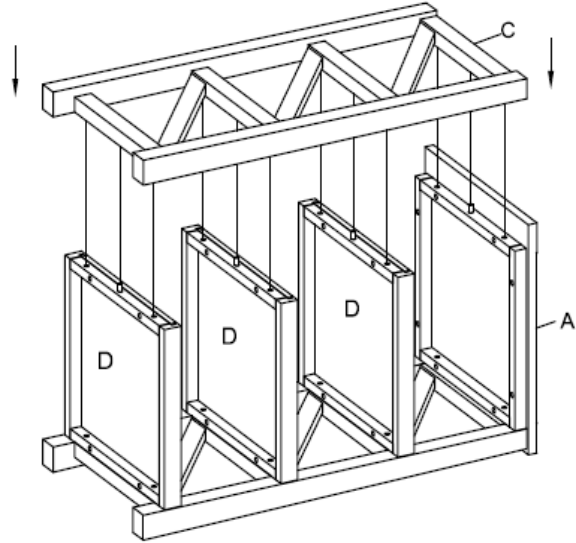
B. ATTACH RIGHT SIDE FRAME (B) TO TOP (A) AND SHELVES (D) WITH BOLTS (G) AND FLAT WASHERS (H) USING ALLEN WRENCH (J). DO NOT TIGHTEN COMPLETELY.



**ASSEMBLY INSTRUCTIONS (CONTINUED)**  
**STYLE#: 53SNR4201HAZ, 53SNR4201WHT, 73SNRST01BLK**

**STEP 4**

A. ALIGN THE LEFT SIDE FRAME (C) TO TOP (A) AND SHELVES (D) AS SHOWN.

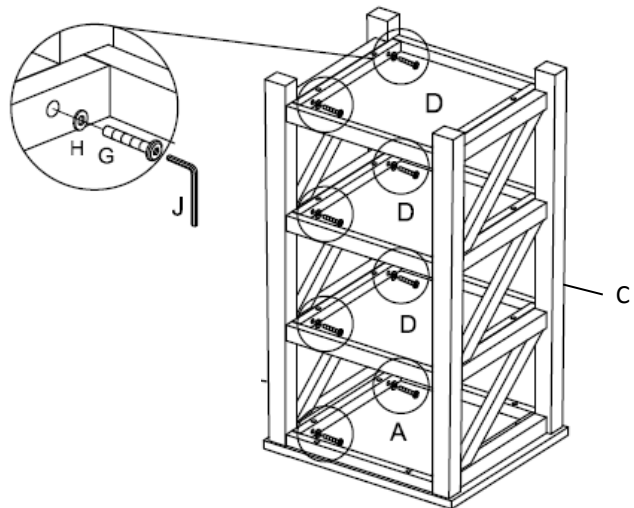


**STEP 5**

A. CAREFULLY ROTATE THE ASSEMBLED UNIT UPSIDE DOWN ON A FLAT, PROTECTED SURFACE.

B. ATTACH TOP (A) AND SHELVES (D) TO LEFT SIDE FRAME (C) WITH BOLTS (G) AND FLAT WASHERS (H) USING ALLEN WRENCH (J).

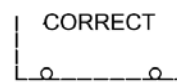
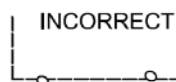
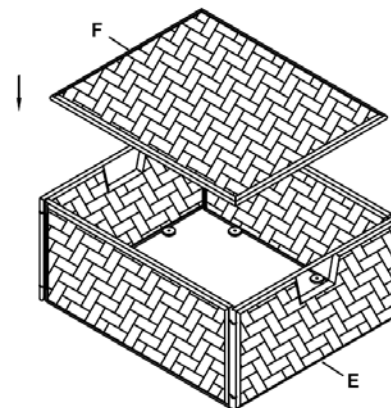
C. TIGHTEN COMPLETELY ALL BOLTS (G).



**STEP 6**

A. INSERT BASKET BOTTOMS (F) INTO BASKETS (E).

B. IF ANY BASKET BUMPERS OR PADS WERE BENT OR DISLODGED DURING TRANSIT, GENTLY REPOSITION SO THE BUMPERS ARE LEVEL WITH THE BOTTOM OF THE BASKET AND THE PADS ARE CENTERED ON THE BUMPERS.



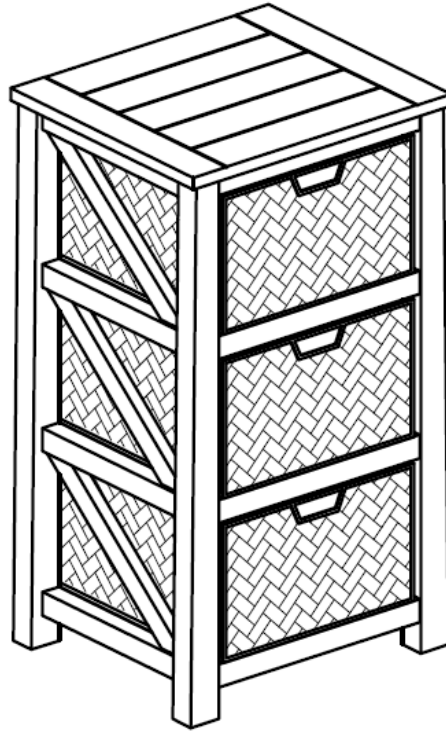
**ASSEMBLY INSTRUCTIONS (CONTINUED)**  
**STYLE#: 53SNR4201HAZ, 53SNR4201WHT, 73SNRST01BLK**

**STEP 7**

A. ROTATE THE ASSEMBLED UNIT TO UPRIGHT POSITION.

B. PLACE THE ASSEMBLED BASKETS ONTO THE SHELVES AS SHOWN.

C. ASSEMBLY IS COMPLETE.



\*\* WE RECOMMEND THAT YOU SAVE THE ALLEN WRENCH AND PERIODICALLY TIGHTEN ALL BOLTS.

**WEIGHT LIMIT:**

TOP: 40 LBS, SHELVES: 20 LBS EACH, BASKETS: 20 LBS EACH.

**CARE AND CLEANING**

WIPE CLEAN WITH A SOFT, DRY CLOTH AS NEEDED.

BASKETS: DO NOT BRING IN CONTACT WITH WATER OR LIQUIDS.

DO NOT SIT, STAND, OR CLIMB ON STORAGE TOWER.

INTENDED FOR INDOOR USE ONLY.

Contact our customer service center at: 1-847-608-5202 or at [customerservice@homeciao.com](mailto:customerservice@homeciao.com)