

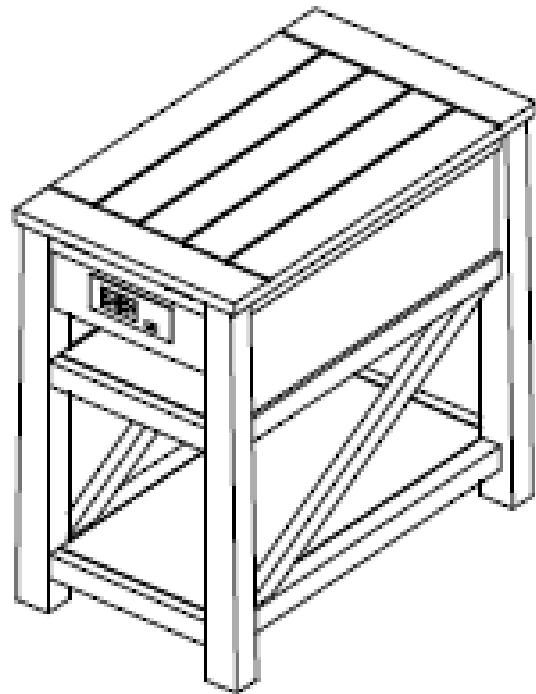
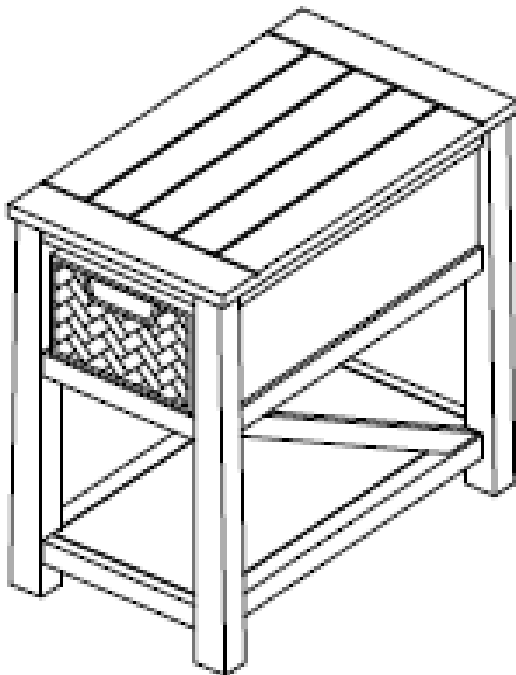
SAVE THESE INSTRUCTIONS

SONOMA CAMERON RECLINER TABLE ASSEMBLY INSTRUCTIONS

STYLE#: 53SNR4101HAZ, 53SNR4101WHT

ASSEMBLE ON A FLAT, PROTECTED SURFACE

PHILLIPS HEAD SCREWDRIVER NEEDED FOR ASSEMBLY; NOT INCLUDED



CAUTION:

- KEEP OUT OF REACH OF CHILDREN.
- NEVER TOUCH ELECTRICAL PLUGS WITH WET HANDS.
- SWITCH OFF THE POWER SUPPLY OR UNPLUG FROM THE ELECTRIC OUTLET WHEN NOT IN USE AND BEFORE CLEANING.
- POWER DISTRIBUTIONS UNITS: 125VAC 60Hz 12A MAX. 1500W.
- DO NOT USE POLISHES OR CLEANERS. WIPE CLEAN WITH SOFT, DRY CLOTH AS NEEDED.
- BASKET: DO NOT BRING IN CONTACT WITH WATER OR LIQUIDS.
- DO NOT SIT, STAND OR CLIMB ON TABLE.
- WEIGHT RESTRICTION: TOP: 40 LBS, SHELVES: 20 LBS EACH, BASKET: 15 LBS.
- INTENDED FOR INDOOR USE ONLY.

Contact our customer service center at: 1-847-608-5202 or at customerservice@homeciao.com