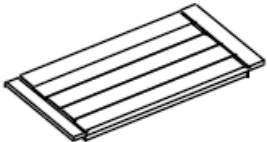
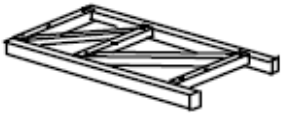
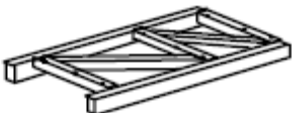









SAVE THESE INSTRUCTIONS
SONOMA CAMERON CONSOLE TABLE ASSEMBLY INSTRUCTIONS
ASSEMBLE ON A FLAT, PROTECTED SURFACE

PART LIST	FIGURE	QUANTITY	DESCRIPTION
A		1 PC	TOP
B		1 PC	RIGHT SIDE FRAME
C		1 PC	LEFT SIDE FRAME
D		2 PCS	SHELF
E		3 PCS	BASKET
F		3 PCS	BASKET BOTTOM
G		12 PCS + 1 PC	BOLT
H		12 PCS + 1 PC	FLAT WASHER
I		6 PCS + 1 PC	WOOD DOWEL
J		1 PC	ALLEN WRENCH

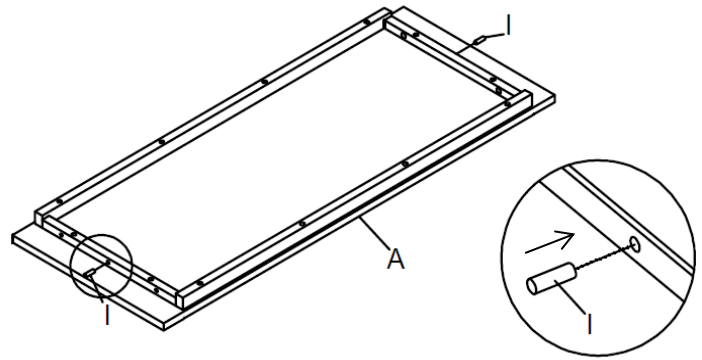
FOR MISSING OR INCORRECT PARTS/HARDWARE, CONTACT THE MANUFACTURER'S CUSTOMER SERVICE DIRECTLY AT
1-847-608-5202 OR CUSTOMERSERVICE@HOMECIAO.COM
REFER TO LAST PAGE FOR ADDITIONAL CUSTOMER SERVICE DETAILS.

ASSEMBLY INSTRUCTIONS (CONTINUED)

STEP 1

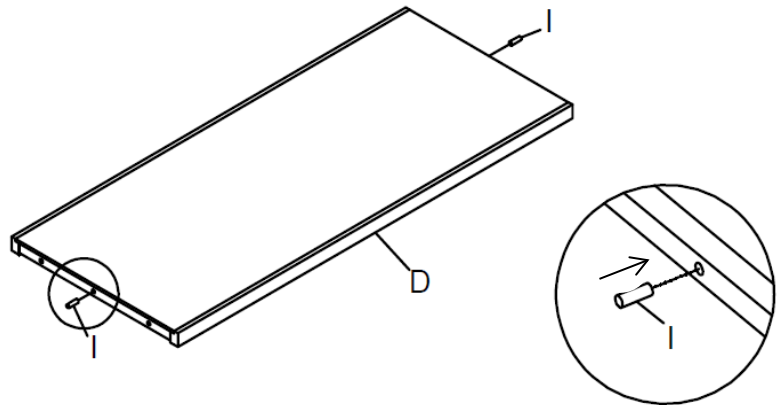
A. PLACE TOP (A) UPSIDE DOWN ON A FLAT, PROTECTED SURFACE.

B. INSERT WOOD DOWELS (I) INTO DOWEL HOLES ON TOP (A) AS SHOWN.



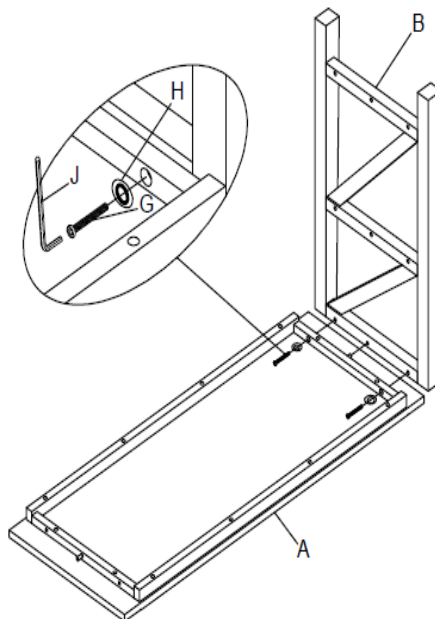
STEP 2

A. INSERT WOOD DOWELS (I) INTO THE DOWEL HOLES ON SHELVES (D) AS SHOWN.



STEP 3

A. ATTACH RIGHT SIDE FRAME (B) TO TOP (A) WITH BOLTS (G) AND FLAT WASHERS (H) USING ALLEN WRENCH (J). DO NOT TIGHTEN COMPLETELY.

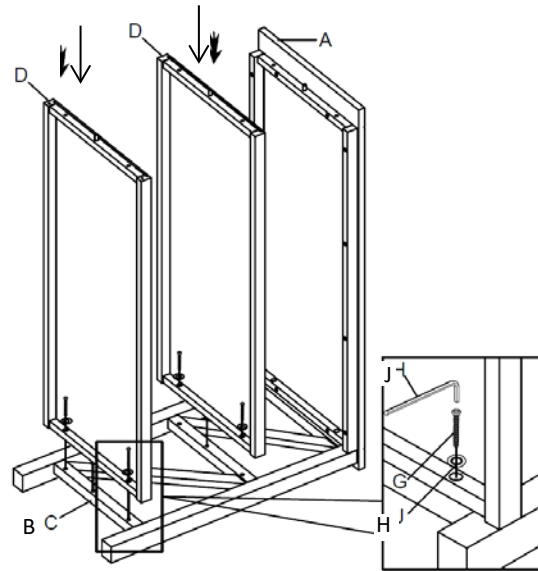


ASSEMBLY INSTRUCTIONS (CONTINUED)

STEP 4

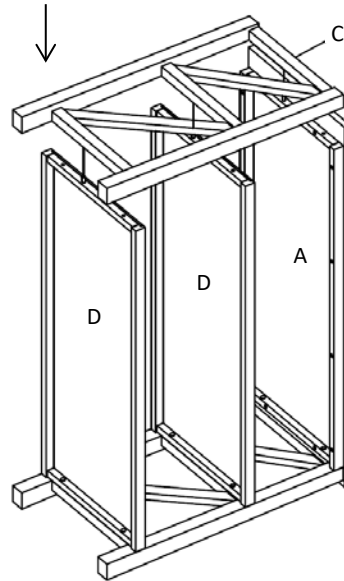
A. ROTATE THE ASSEMBLED UNIT FROM STEP 3 ON ITS SIDE ON A FLAT, PROTECTED SURFACE.

B. ATTACH SHELVES (D) TO RIGHT SIDE FRAME (B) WITH BOLTS (G) AND FLAT WASHERS (H) USING ALLEN WRENCH (J) AS SHOWN.



STEP 5

A. ALIGN LEFT SIDE FRAME (C) TO TOP (A) AND SHELVES (D) AS SHOWN.

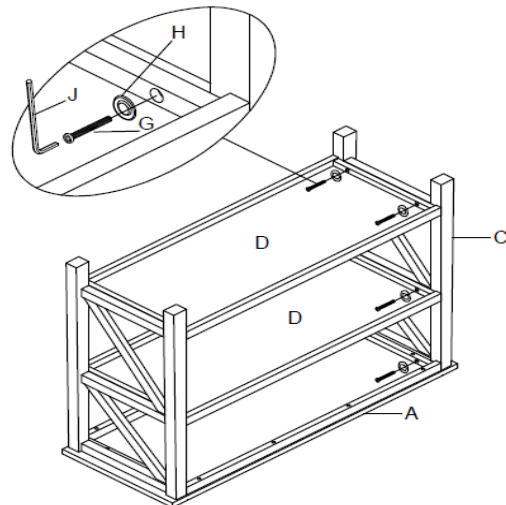


STEP 6

A. CAREFULLY ROTATE THE ASSEMBLED UNIT UPSIDE DOWN ON A FLAT, PROTECTED SURFACE.

B. ATTACH TOP (A) AND SHELVES (D) TO LEFT SIDE FRAME (C) WITH BOLTS (G) AND FLAT WASHERS (H) USING ALLEN WRENCH (J).

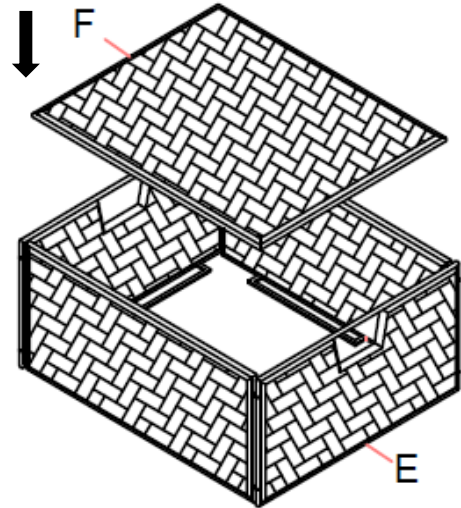
C. TIGHTEN COMPLETELY ALL BOLTS (G).



ASSEMBLY INSTRUCTIONS (CONTINUED)

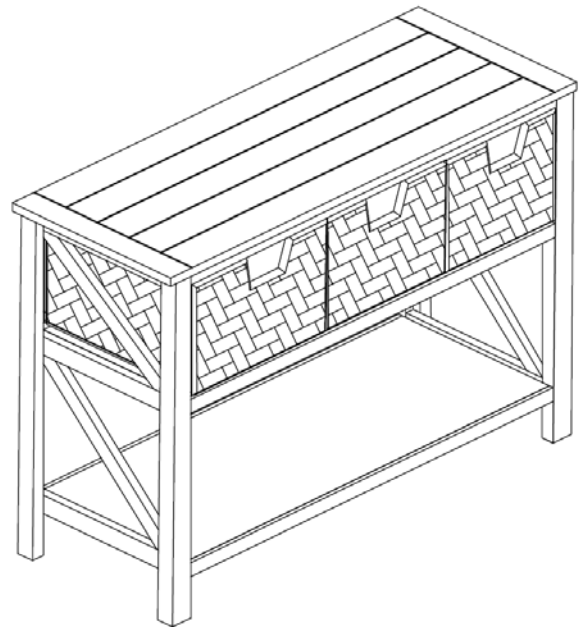
STEP 7

- A. INSERT BASKET BOTTOM (F) INTO BASKET (E).
- B. REPEAT FOR REMAINING BASKETS.



STEP 8

- A. ROTATE ASSEMBLED UNIT TO THE UPRIGHT POSITION.
- B. PLACE THE ASSEMBLED BASKETS ONTO THE SHELF (D) AS SHOWN.
- C. ASSEMBLY IS COMPLETE.



**** WE RECOMMEND THAT YOU SAVE THE ALLEN WRENCH AND PERIODICALLY TIGHTEN ALL BOLTS.**

WEIGHT LIMIT:

TOP: 200 LBS, SHELVES: 60 LBS EACH, BASKETS: 20 LBS EACH.

CARE AND CLEANING

WIPE CLEAN WITH A SOFT, DRY CLOTH AS NEEDED.

BASKETS: DO NOT BRING IN CONTACT WITH WATER OR LIQUIDS.

DO NOT SIT, STAND, OR CLIMB ON THE CONSOLE TABLE.



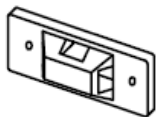


INTENDED FOR INDOOR USE ONLY.

FOR MISSING OR INCORRECT PARTS/HARDWARE, CONTACT THE MANUFACTURER'S CUSTOMER SERVICE DIRECTLY AT 1-847-608-5202 OR CUSTOMERSERVICE@HOMECIAO.COM

SAVE THESE INSTRUCTIONS
ANTI-TIP HARDWARE MOUNTING INSTRUCTIONS FOR DRYWALL

PHILIPS HEAD SCREW DRIVER, DRILL, 7/32" DRILL BIT NEEDED FOR ASSEMBLY; NOT INCLUDED.
 FOR SAFETY REASONS, WE RECOMMEND THAT YOU INSTALL THE INCLUDED ANTI-TIP HARDWARE TO HELP PREVENT THE CONSOLE TABLE FROM UNEXPECTEDLY TIPPING OR SHIFTING.

THE INCLUDED MATERIALS ARE DESIGNED TO MOUNT THE ANTI-TIP HARDWARE TO DRYWALL.
 PLEASE CONSULT A REPRESENTATIVE AT A HARDWARE/HOME IMPROVEMENT STORE TO DISCUSS ADDITIONAL

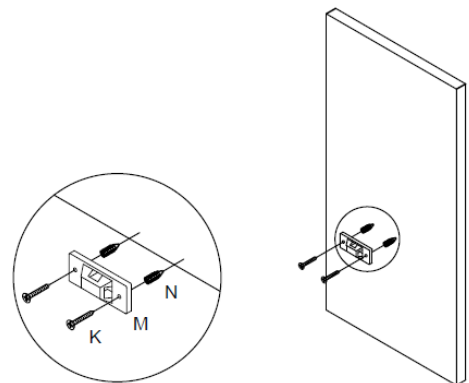
PART LIST	FIGURE	QUANTITY	DESCRIPTION
K		2 PCS	LONG SCREW (5/16" x 1-1/2")
L		2 PCS	SHORT SCREW (5/16" x 3/4")
M		2 PCS	MOUNTING BRACKET
N		2 PCS	WALL ANCHOR
O		1 PC	ZIP TIE

STEP 1

A. DETERMINE WHERE THE CONSOLE TABLE IS PLACED, THEN MARK THE POSITION OF MOUNTING BRACKET ON THE WALL.

B. DRILL HOLES IN THE WALL. PRESS THE PLASTIC ANCHOR (N) INTO THE HOLES.

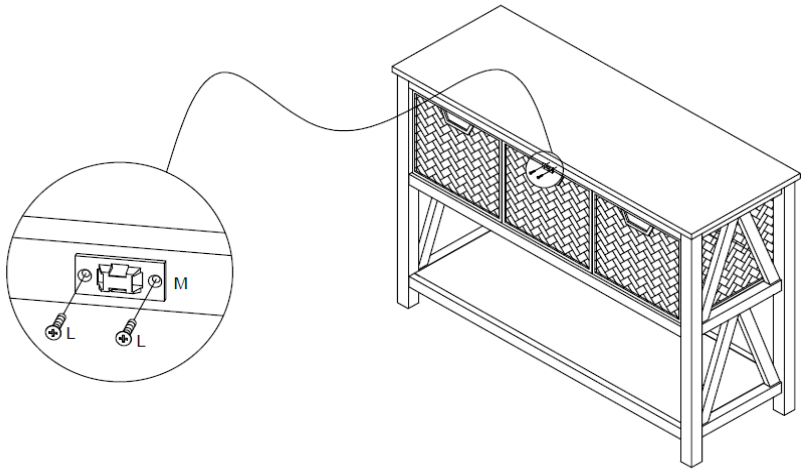
C. POSITION ONE END OF MOUNTING BRACKET (M) OVER THE PLASTIC ANCHOR (N) AND USE LONG SCREWS (K) TO ATTACH THE MOUNTING BRACKET (M) TO THE WALL. TIGHTEN LONG SCREWS (K) BY USING PHILLIPS HEAD SCREWDRIVER (NOT INCLUDED).



SAVE THESE INSTRUCTIONS
ANTI-TIP HARDWARE MOUNTING INSTRUCTIONS FOR DRYWALL

STEP 2

- A. USE SHORT SCREWS (L) TO ATTACH THE OTHER END OF MOUNTING BRACKET (M) TO THE CENTER BACK OF CONSOLE TABLE TOP.
- B. TIGHTEN SHORT SCREWS (L) BY USING PHILLIPS HEAD SCREWDRIVER (NOT INCLUDED).



STEP 3

- A. PLACE THE CONSOLE TABLE SO THAT THE MOUNTING BRACKET (M) ON THE BACK OF CONSOLE TABLE IS IN LINE WITH MOUNTING BRACKET (M) ON THE WALL.
- B. FEED THE ZIP TIE (O) THROUGH EACH MOUNTING BRACKET (M) AND SECURE IT.
- C. CHECK TO MAKE SURE THE ZIP TIE (O) IS SECURELY TIGHTENED AND LOCKED TO MOUNTING BRACKETS (M).

