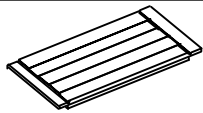
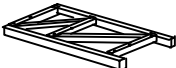
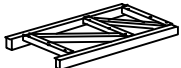





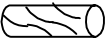

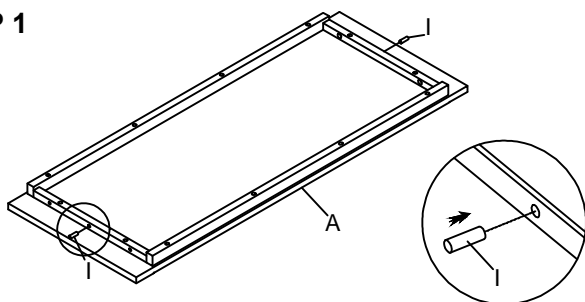


**SAVE THESE INSTRUCTIONS**  
**CAMERON CONSOLE TABLE ASSEMBLY INSTRUCTIONS**  
**STYLE #: 53SNR4001HAZ, 53SNR4001WHT**  
**ASSEMBLE ON A FLAT, PROTECTED SURFACE.**

PART LIST	FIGURE	QUANTITY	DESCRIPTION
A		1 PC	TOP
B		1 PC	LEFT SIDE FRAME
C		1 PC	RIGHT SIDE FRAME
D		2 PCS	SHELF
E		3 PCS	BASKET
F		3 PCS	BASKET BOTTOM
G		12 PCS + 1PC	BOLT
H		1 PC	ALLEN WRENCH
I		6 PCS + 1PC	WOOD DOWEL
J		12 PCS + 1PC	FLAT WASHER

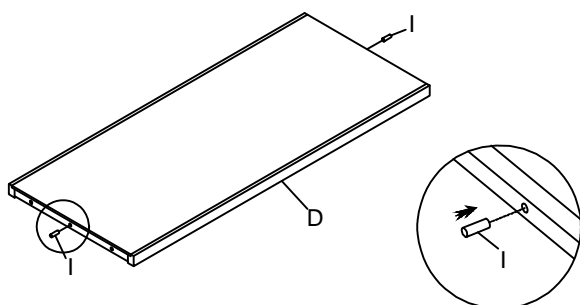
MADE IN VIETNAM

**STEP 1**



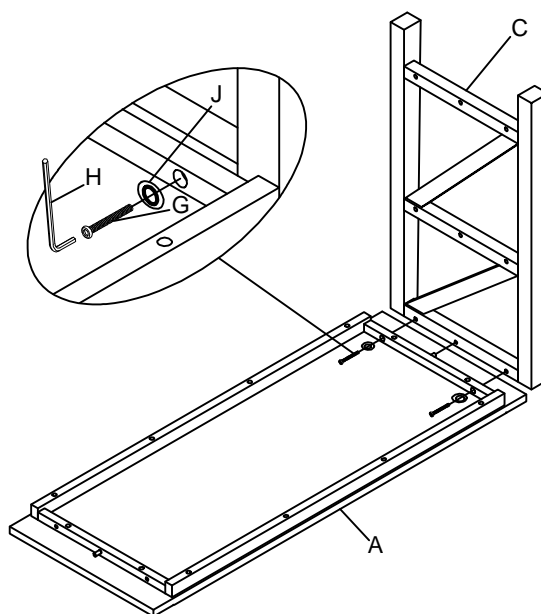
- A. PLACE TOP (A) UPSIDE DOWN ON A FLAT, PROTECTED SURFACE.  
 B. INSERT WOOD DOWELS (I) INTO DOWEL HOLES ON TOP FRAME (A) AS SHOWN.

**STEP 2**



- A. INSERT WOOD DOWELS (I) INTO THE DOWEL HOLES ON SHELVES (D) AS SHOWN.

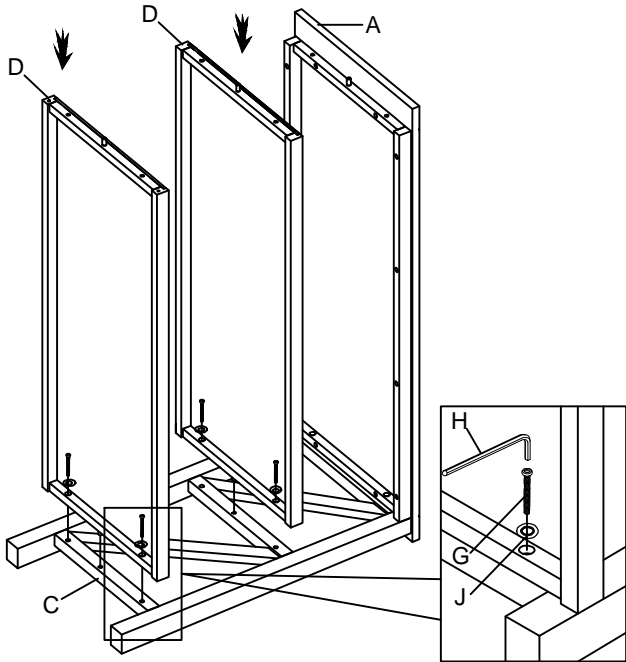
**STEP 3**



- A. ATTACH THE RIGHT SIDE FRAME (C) TO THE TOP (A) USING BOLTS (G), FLAT WASHERS (J) AND TIGHTEN WITH ALLEN WRENCH (H) AS SHOWN.

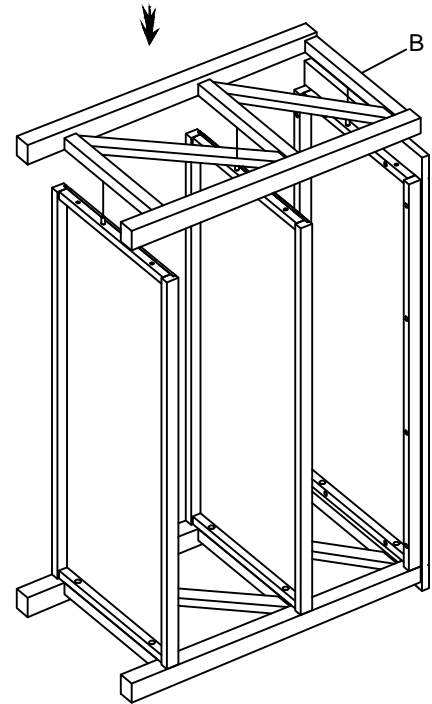
**SAVE THESE INSTRUCTIONS**  
**STYLE #: 53SNR4001HAZ, 53SNR4001WHT**  
**ASSEMBLY INSTRUCTIONS (CONTINUED)**

**STEP 4**



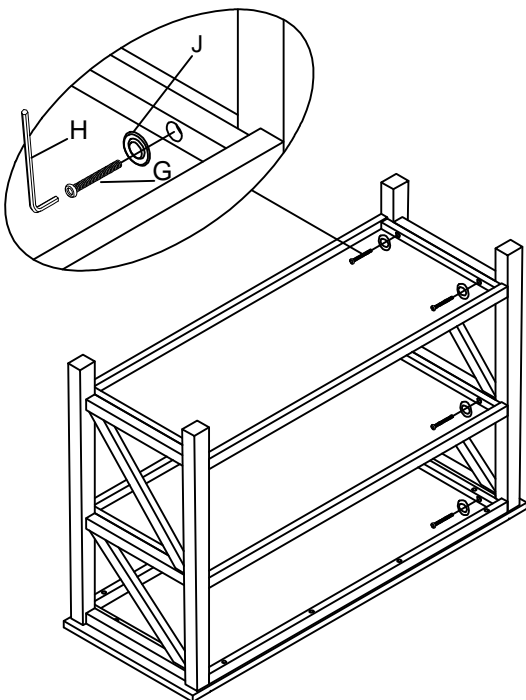
- A. TURN THE ASSEMBLED UNIT FROM STEP 3 ON ITS SIDE ON A FLAT, PROTECTED SURFACE.  
 B. ATTACH THE SHELVES (D) TO THE ASSEMBLED UNIT FROM STEP 3 USING BOLTS (G), FLAT WASHERS (J) AND TIGHTEN WITH ALLEN WRENCH (H) AS SHOWN.

**STEP 5**



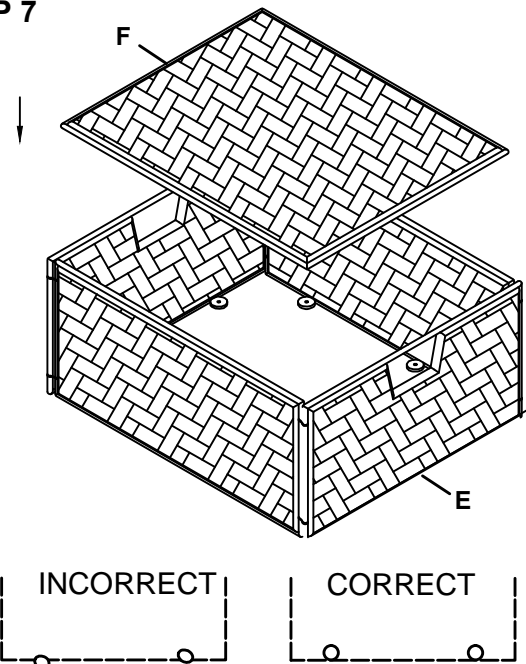
- A. ALIGN THE LEFT SIDE FRAME (B) TO THE ASSEMBLED UNIT FROM STEP 4 AS SHOWN.

**STEP 6**



- A. TURN THE CONSOLE TABLE UPSIDE DOWN ON A FLAT, PROTECTED SURFACE.  
 B. TIGHTEN BOLTS (G), FLAT WASHERS (J) WITH ALLEN WRENCH (H) AS SHOWN.

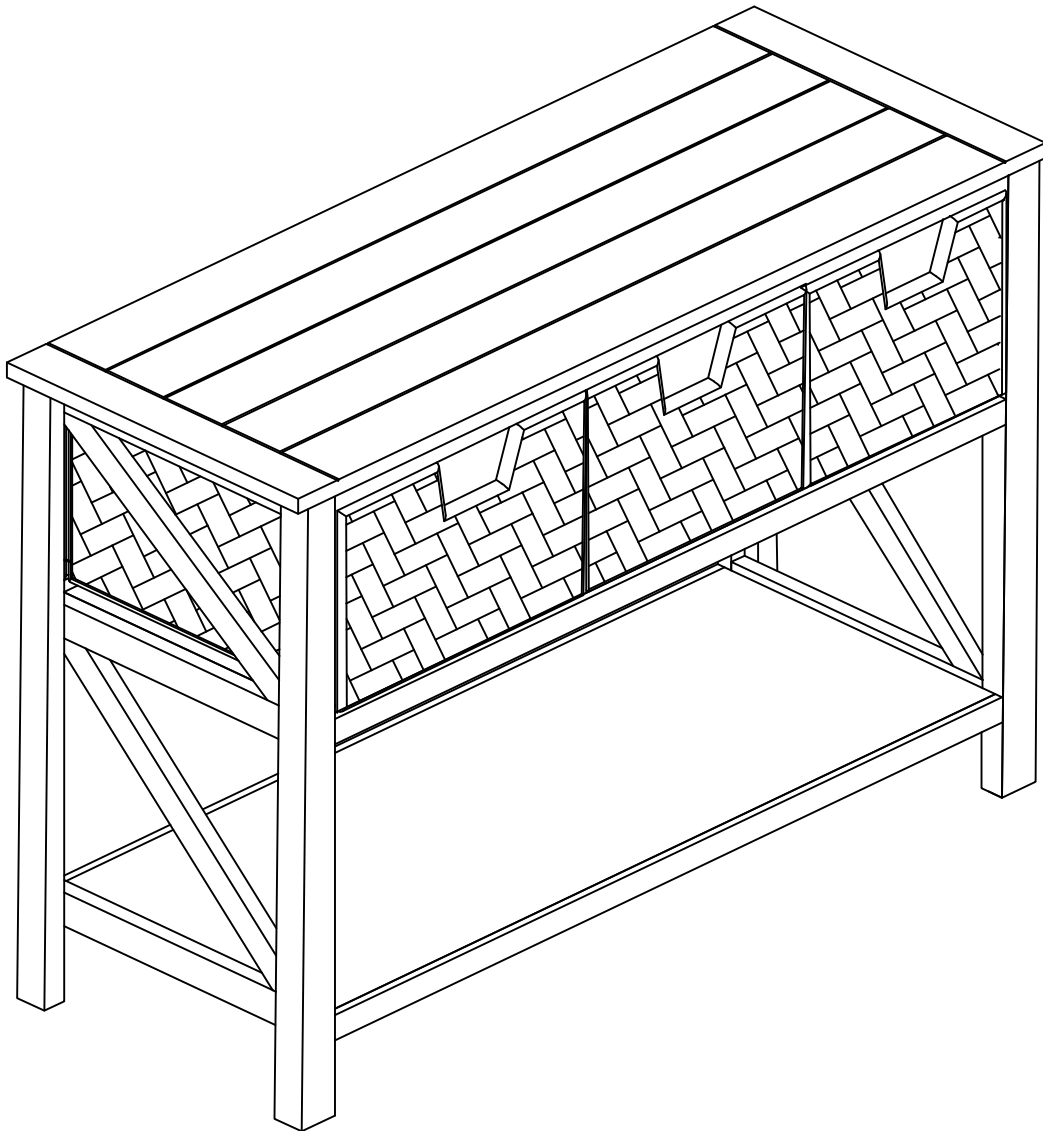
**STEP 7**



- A. INSERT BASKET BOTTOM (F) INTO BASKET (E).  
 B. REPEAT FOR REMAINING BASKETS.  
 C. IF ANY BASKET BUMPERS OR PADS WERE BENT OR DISLODGED DURING TRANSIT, GENTLY REPOSITION SO THE BUMPERS ARE LEVEL WITH THE BOTTOM OF THE BASKET AND THE PADS ARE CENTERED ON THE BUMPERS.

**SAVE THESE INSTRUCTIONS**  
**STYLE #: 53SNR4001HAZ, 53SNR4001WHT**  
**ASSEMBLY INSTRUCTIONS (CONTINUED)**

**STEP 8**



- A. ROTATE THE ASSEMBLED UNIT TO UPRIGHT POSITION.  
B. PLACE THE BASKETS INTO CONSOLE TABLE AS SHOWN.

**\*\*WE RECOMMEND THAT YOU SAVE THE ALLEN WRENCH (H) AND PERIODICALLY TIGHTEN ALL BOLTS. PLEASE MAKE SURE ALL BOLTS ARE PLACED IN THEIR PROPER POSITION AND ARE TIGHTENED SECURELY TO ENSURE YOUR SAFETY.**

1. WIPE CLEAN WITH A SOFT, DRY CLOTH AS NEEDED.
2. BASKETS: DO NOT BRING IN CONTACT WATER OR LIQUIDS. WIPE CLEAN WITH A SOFT, DRY CLOTH AS NEEDED.
3. DO NOT SIT, STAND OR CLIMB ON CONSOLE TABLE.
4. WEIGHT RESTRICTION: TOP: 200 LBS, SHELVES: 60 LBS EACH, BASKETS: 20 LBS EACH.
5. INTENDED FOR INDOOR USE ONLY.