















SAVE THESE INSTRUCTIONS
SONOMA SHELTON STOOL ASSEMBLY INSTRUCTIONS
STYLE #: 53SNR5504MET/63SNRSE05BR
ASSEMBLE ON A FLAT, PROTECTED SURFACE

PART LIST	FIGURE	QUANTITY	DESCRIPTION
A		1 PC	SWIVEL UNIT
B		1 PC	BOTTOM LEG FRAME
C		1 PC	TOP LEG FRAME
D		1 PC	FOOT RING
E		4 PCS	LEG EXTENSION
F		1 PC	SEAT
G		1 PC	BACKREST
H		4 PCS	CAPS (FOR 24 in. COUNTER STOOL)
I		12 PCS + 1 PC	SHORT BOLT (1/4 in. X 1/2 in.)
J		4 PCS + 1 PC	MEDIUM BOLT (1/4 in. X 1 3/16 in.)
K		2 PCS + 1 PC	LONG BOLT (1/4 in. X 1 1/4 in.)
L		2 PCS + 1 PC	LOCK WASHER
M		10 PCS + 1 PC	FLAT WASHER
N		1 PC	ALLEN WRENCH

FOR MISSING OR INCORRECT PARTS/HARDWARE, CONTACT THE MANUFACTURER'S CUSTOMER SERVICE DIRECTLY AT
1-800-737-5267 OR CUSTOMERSERVICE@CHEYENNEPRODUCTS.COM
REFER TO LAST PAGE FOR ADDITIONAL CUSTOMER SERVICE DETAILS.

ASSEMBLY INSTRUCTIONS (CONTINUED)

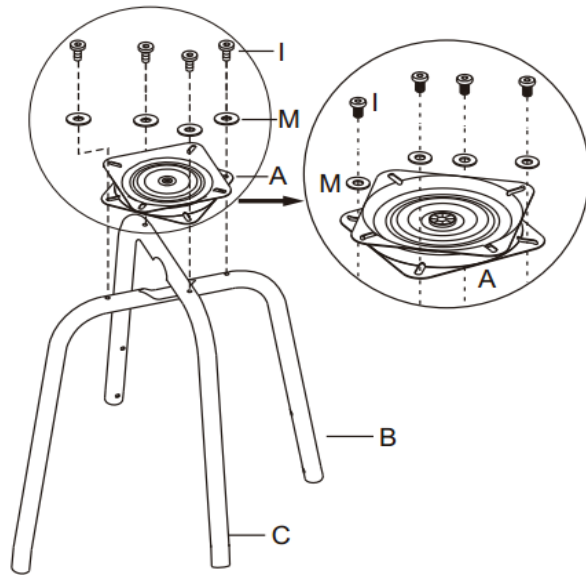
STYLE #:53SNR5504MET/63SNRSE05BR

STEP 1

A. ASSEMBLE LEG FRAMES (B, C) BY ALIGNING LEG FRAME (C) WITH THE CENTER SLOT ON BOTTOM OF CROSSBAR, ON TOP OF LEG FRAME (B) WITH THE CENTER SLOT ON TOP OF THE CROSSBAR.

B. TURN SWIVEL UNIT (A) SO THAT THE TWO SWIVEL PLATES ARE OFFSET AND IN A STAR PATTERN AS SHOWN. PLEASE NOTE: SWIVEL UNIT (A) MUST HAVE SMOOTH FLAT HEAD DOWN TOWARD LEGS.

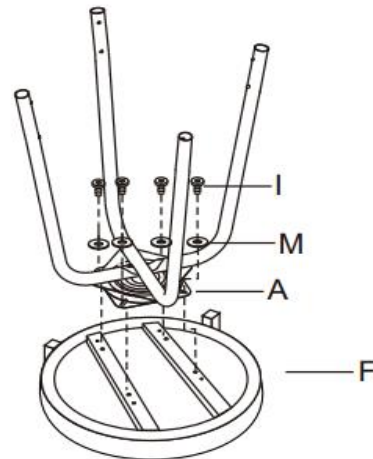
C. FASTEN SWIVEL UNIT (A) TO LEG FRAMES (B,C) WITH SHORT BOLTS (I) AND FLAT WASHERS (M) USING ALLEN WRENCH (N). TIGHTEN COMPLETELY.



STEP 2

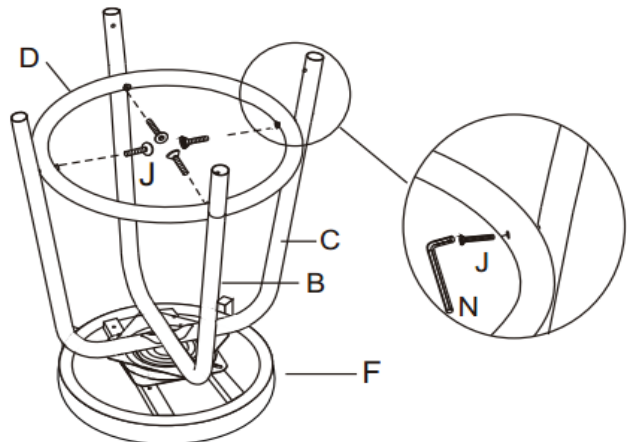
A. PLACE SEAT (F) UPSIDE DOWN ON A FLAT, PROTECTED SURFACE.

B. CONNECT ASSEMBLED LEGS WITH SWIVEL UNIT (A) TO SEAT (F) USING FLAT WASHERS (M) AND SHORT BOLTS (I) USING ALLEN WRENCH (N). TIGHTEN COMPLETELY.



STEP 3

A. CONNECT FOOT RING (D) TO ASSEMBLED LEG FRAMES (B,C) WITH MEDIUM BOLTS (J) USING ALLEN WRENCH (N). TIGHTEN COMPLETELY.



ASSEMBLY INSTRUCTIONS (CONTINUED)

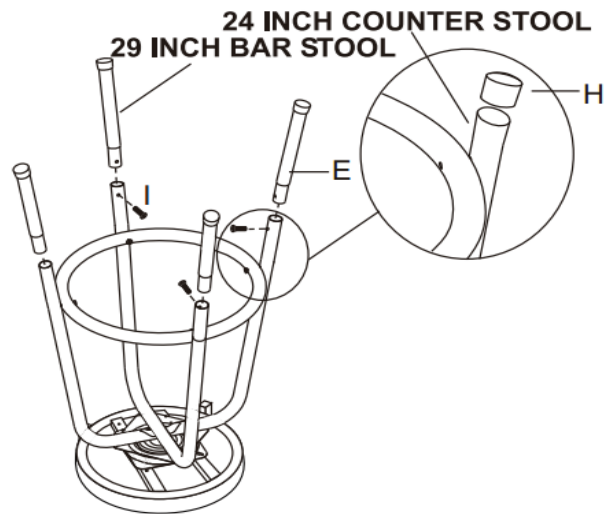
STYLE #:53SNR5504MET/63SNRSE05BR

STEP 4

A. **24 INCH COUNTER STOOL** - PLACE CAPS (H) ON LEG FRAMES AS SHOWN.

B. **29 INCH COUNTER STOOL** - INSERT THE LEG EXTENSIONS (E) INTO LEG FRAMES (B,C) ALIGNING HOLES PROPERLY.

C. CONNECT THE LEG EXTENSIONS (E) TO THE LEG FRAMES (B,C) WITH SHORT BOLTS (I) USING ALLEN WRENCH (N). TIGHTEN COMPLETELY.

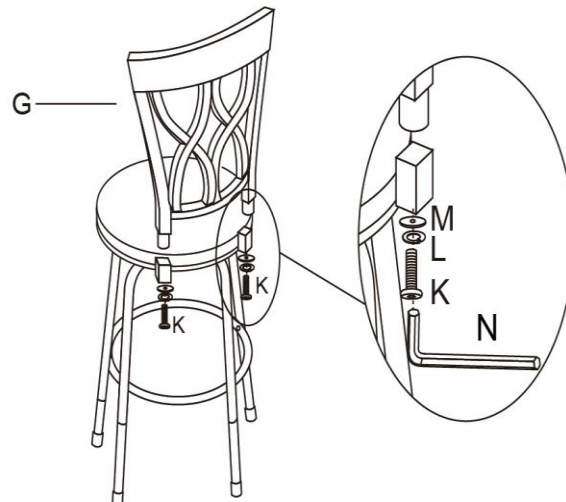


STEP 5

A. TURN ASSEMBLED UNIT TO ITS UPRIGHT POSITION.

B. CONNECT BACKREST (G) TO SEAT (F) OF THE ASSEMBLED STOOL WITH LONG BOLTS (K), LOCK WASHERS (L), AND FLAT WASHERS (M) USING ALLEN WRENCH (N). TIGHTEN COMPLETELY.

C. ASSEMBLY IS COMPLETE.



** WE RECOMMEND THAT YOU SAVE THE ALLEN WRENCH (N) AND PERIODICALLY TIGHTEN ALL BOLTS .

WEIGHT LIMIT

300 LBS

CARE AND CLEANING

WIPE CLEAN WITH A SOFT, DRY CLOTH AS NEEDED.

DO NOT STAND OR CLIMB ON THE STOOL.

INTENDED FOR INDOOR USE ONLY

WARRANTY

** FOR REPLACEMENT PARTS OR FOR ADDITIONAL INFORMATION,

CALL 1-800-737-5267 BETWEEN 8:00AM AND 5:00PM, CST.

EMAIL: CUSTOMERSERVICE@CHEYENNEPRODUCTS.COM