

SAVE THESE INSTRUCTIONS

SONOMA CAMERON END TABLE ASSEMBLY INSTRUCTIONS

STYLE#: 53SNR4102HAZ, 53SNR4102WHT, 73SNRTB02BLK

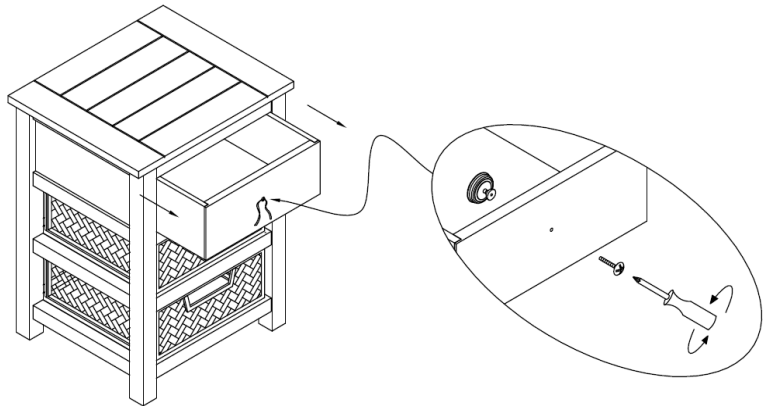
ASSEMBLE ON A FLAT, PROTECTED SURFACE

PHILLIPS HEAD SCREWDRIVER NEEDED FOR ASSEMBLY; NOT INCLUDED

STEP 1

A. PULL THE RED RIBBON TO OPEN THE DRAWER.

B. REMOVE THE DRAWER KNOB USING PHILLIPS HEAD SCREWDRIVER, NOT INCLUDED, AS SHOWN.

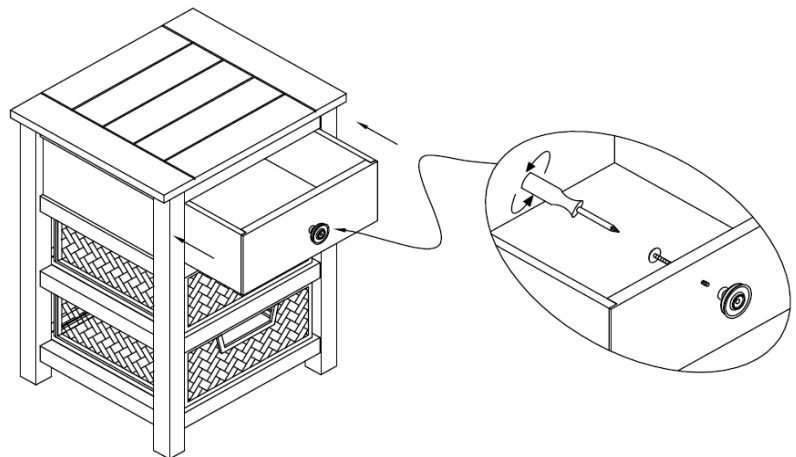


STEP 2

A. INSERT SCREW THROUGH FRONT DRAWER PANEL AS SHOWN.

B. ATTACH THE DRAWER KNOB WITH THE SCREW PROVIDED USING THE PHILLIPS HEAD SCREWDRIVER, NOT INCLUDED. TIGHTEN COMPLETELY.

C. ASSEMBLY IS COMPLETE.



** WE RECOMMEND THAT YOU USE THE PHILLIPS HEAD SCREWDRIVER, NOT INCLUDED TO PERIODICALLY TIGHTEN THE SCREW.

WEIGHT LIMIT:

TOP: 40 LBS, SHELVES: 20 LBS EACH, BASKETS: 15 LBS EACH, DRAWER: 10 LBS

CARE AND CLEANING

WIPE CLEAN WITH A SOFT, DRY CLOTH AS NEEDED.

BASKETS: DO NOT BRING IN CONTACT WITH WATER OR LIQUIDS.

DO NOT SIT, STAND, OR CLIMB ON TABLE.

INTENDED FOR INDOOR USE ONLY.